

Quincy® Parts & Accessories



**Quincy
Compressor®**

True Blue ReliabilitySM

Table of Contents

This book is divided into ten convenient categories and an alphabetical Index.

If you know the item you wish to order, please refer to the Index on pages 102-103 for a complete listing of all parts and accessories offered in this catalogue.

The Table of Contents provides a brief overview of many of the items found in each section.

To ensure quality and compatibility, always order genuine Quincy parts and accessories.

For your convenience, fax number and E-mail address are located on the bottom of each facing page.

Filters - pages 2-11

Air Pressure Regulators
Control Line Filters and Strainers
Drain Line Filters
Exhaust Demisters and Filter Elements
Filter/Silencers and Elements
Inlet Filters and Elements
Inlet Liquid Separators
Intake Filters and Silencers
Oil Filters

Gauges/Indicators - pages 12-14

Air and Oil Pressure Gauges
Hour Meters and Sight Glass
Maintenance Indicators
Percent Capacity and Temperature Gauges
Pressure Differential Indicators

Valves - pages 15-38

Check Valves
Check Valve Bushings and Inserts
Dual Control Check Valve Assemblies
Drain Valves and Repair Kits
Hydraulic Unloader Assembly
Minimum Pressure Check Valves
Pilot Valves and Replacement Springs
Pilot Valves Differential Setting Ranges
Pressure Relief Valves
Shims for Coupling Alignment
Vacuum Ball and Butterfly Valves
Water Temperature Regulating Valves

Kits - pages 39-46

Engine Throttle Control Kits
High Air/Temperature Kits
Inlet Valve Repair Kits
Maintenance Kits for QR-25®, QT® and QTS®
Moisture Trap Repair Kits
Pilot Valve Repair Kit
Thermostat Valve Repair Kits

Receivers/Guards - pages 47-53

Belt Guard Dimensional Info.
Pad Isolators
Receivers for QR, QT, and QTS
Spring Isolators
Vacuum Receivers-Horizontal
Vacuum Receivers-Vertical

Lubricants - pages 54-56

Crankcase Heater
Lubricants and Lubricant Analysis Kit
Recip. Lubrication/Capacities

Electrical - pages 57-88

Automatic Alternating Panels
Contactors and Replacement Contactors
Control Panels and Replacements
Demand-A-Matic Panels
Duplex Controllers and Panel Options
Electric Motors
High Air Temp. Shut Down Switches
Light Assemblies, Lenses and Bulbs
Overload Relays
Pressure Switches
Slide Rails for Electric Motors
Starters, Open and Enclosed

Belts/Pulleys - pages 89-94

Motor Pulleys and Bushings
"V" Belts-Recip. and Rotary

Coolers - pages 95-102

Aftercoolers
Air/Fluid Coolers
Fluid Coolers

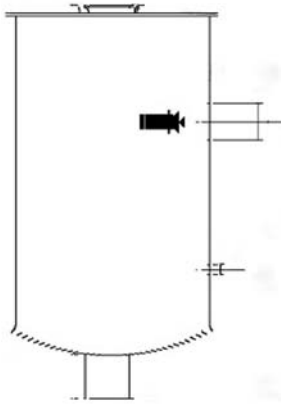
Service Tools - pages 103-105

Service Tools and Tool Kits

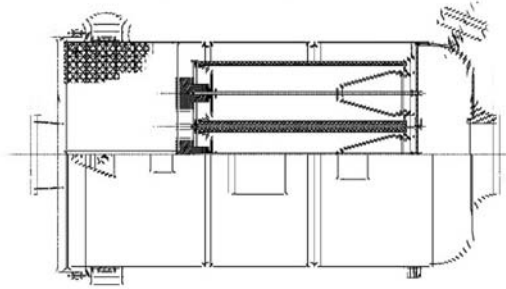
Index - pages 106-107

Exhaust Demisters - Vacuum Pumps

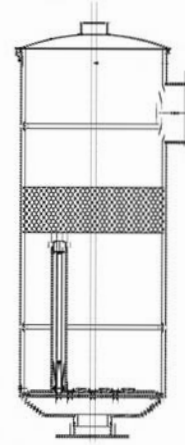
- Eliminates residual lubricant carryover from discharge of QSV rotary screw vacuum pump



#140287



#141684



#141660

Part Number	Description	SCFM @ 20" Water	Weight
140287-1	2" NPT Inlet and Discharge Connections	100	15
140287-4	4" NPT Inlet and Discharge Connections	400	70
142657-030	3" NPT Inlet and Discharge Connections		
142657-040	4" NPT Inlet and Discharge Connections		
142657-050	5" NPT Inlet and Discharge Connections		
142657-060	6" NPT Inlet and Discharge Connections		

Exhaust Filter Element Kits

Part Number	Description	CFM Model
140287-051	Exhaust Filter Element (1 element)	100-400
140287-052	Exhaust Filter Element Kit (3 elements)	100-400
141684-051	Exhaust Filter Element Kit (7 elements)	481
141684-052	Exhaust Filter Element Kit (7 elements)	962
141660-051	Exhaust Filter Element Kit (17 elements)	2200
141660-052	Exhaust Filter Element Kit (30 elements)	4900

Automatic Control Line Filter

- Line filter with auto drain
- Metal bowls

Part Number	In-Out Port NPT	Max Pressure	Service Kit Part Number
129731	1/4"	250	129731-050
129732	1/4"	250	129732-050
143316	1/4"	250	143316-050



#8763

Manual Drain Line Filter

- Reciprocating Compressors

Part Number	In-Out Port NPT	Max Pressure	Replacement Element
8763	3/8"	250	129731-050
142886	1/4"	250	143316-050
142723	1/4"	150	129731-050

Control Line Strainers

- Reciprocating Compressors

Part Number	Connection Size (NPT)	Max Pressure	Description
5529	1/4"	300	V-Type
7705	1/2"	300	V-Type
7706	1"	300	Y-Type



#5529

Air Pressure Regulators

- Rotary and Reciprocating Compressors

- Quincy high capacity regulators engineered for rigorous general purpose applications
- Meets flow requirements up to 200 scfm and accommodates initial pressure of 300 psig
- An air filter should be installed before any regulator
- Equipped with 0-160 pressure gauge



#8780

Part Number	Inlet-Outlet NPT Pipe Size Inches	Standard Pressure Range (psig)	Repair Kit Number
8780	1/4"	2 to 125	8787
8781	3/8"	2 to 125	8787
8782	1/2"	2 to 125	8788
23543-002	1/4"	50 to 250	N/A



#23543

Standard Filters

- Reciprocating Compressors

- For all reciprocating compressors
- Filtration is 96% - 98% efficient at 10 microns per SAE fine dust test.
- Elements are polyester cloth reinforced with steel wire screen on both sides.
- Ends are mechanically held in place.

Part Number	Used On Quincy Models
110377F075	106, 108, 214, 216, 310
110377F100	325, SLT5, SLT7.5, QT7.5, QT5, QT15
110377F125	230, 240, QT10
110377F150	340, SLT15, QT25
110377F200	255, 270, 350, 370, 4125, 5105, 5120, W5120
110377F250	390
110377F300	QR-100
111146F100	Climate Control Duplex and Simplex, QT5



#110377F150

Hooded Filter/Silencer

- Reciprocating Compressors

Part Number	Used On Quincy Models
110377S050	Special X2, A4, 210
110377S075	106, 108, 214, 216, 310
110377S100	325, QT5, QT 7.5, QT 15
110377S101	QT5, 325 Engine
110377S125	230, 240
110377S150	340, QT25, QDD25A
110377S200	255, 270, 350, 370, 4125, 5105, 5120, W5120, QRD
110377S250	390, QDD25W
110377S300	QR 100
1111550S100	QRD5-20



#110377S200

* Specially welded for gas units

Element for Filters - Reciprocating Compressors

Part Number	Used On Filters
110377E050	110377S050
110377E075	110377F075, 110377S050, 110377S075
110377E100	110377F100, 110377F125, 110377F150, 110377S100, 110377S125, 110377S150
110377E200	110377F200, 110377F250, 110377S200, 110377S250
110377E300	110377F300, 110377S300
111146E100	111146F100



#110377E100

Part Number	Description	Used on Models
110377E900	Element, Paper w/ Prefilter	QR, QT, QRD
110377E901	Element, Paper w/ Prefilter	QR, QT, QRD
110377E902	Element, Paper	QR, QT, QRD
110377E903	Element, Paper w/ Prefilter	QR, QT, QRD
110377E904	Element, Paper w/ Prefilter	QR, QT, QRD
110377E905	Element, Paper w/ Prefilter	QR, QT, QRD
110377E906	Element, Paper w/ Prefilter	QR, QT, QRD
110377E907	Element, Paper	QR, QT, QRD
110377E908	Element, Paper w/ Prefilter	QR, QT, QRD
110377E909	Element, Paper w/ Prefilter	QR, QT, QRD
110377N100	Element, Poly, 4 Micron	

Prefilter Foam Option - Reciprocating Compressors

Part Number	Used On Models
110377P075	1/2" and 3/4" Filters/Silencers
110377P100	1", 1 1/4", 1 1/2" Filters/Silencers
**110377P200	2", 2 1/2", 3" Filters/Silencers



#110377P100

** 3" Filter/Silencer requires 2 pieces of 110377P200

Intake Filters - Reciprocating Compressors

- Filter/Silencer
- High efficiency filtering media
- Media can be cleaned or replaced as necessary

Part Number	Pipe Size	Used On Models	Replacement Filter Media
2151X	1/4"	X2, X3	2149
7293X	3/8"	X8	7296
7292X	1/2"	A4, 208, 210	7296



#2151X



#7292X

QTS Filters - Reciprocating Compressors

Part Number	Description	Replacement Number
112605	Felt Filter	112605
112835K004	Filter/Silencer	112845-06
112835-004	Filter	112845-06



#112605



112835-004



#112835K004

Intake Silencers - Reciprocating Compressors

- Recommended use with compressor installations where intake noise is objectionable.
- A filter of proper design for the location must also be installed.
- Can also be used effectively to silence the discharge of vacuum pumps.

Part Number	Pipe Size	Outside Diameter	Overall Length	Used On Models
4515	1/2"	3 1/4"	8 1/8"	A4, 206, 208, 210, 306
4514	3/4"	3 1/4"	11 1/8"	106, 108, 212, 214, 216, 308, 310
4454+	1"	3 1/4"	14 1/8"	325, QT5, QT-7.5, QT15
4468*	1 1/2"	4 1/4"	19 3/4"	230, 240, 244, 340, QT-25
4469+	2"	5"	25 3/4"	255, 270, 350, 370, 4125, 5120, W5120, 4088, 4110, 5020, 5105
4536	2 1/2"	6"	33 1/4"	390
7504	3"	6 1/2"	36 3/4"	Optional equipment on QR 100 Series



#4454

+ Models 4125, 5120, W5120, QT-15, and QT-25 require 2 silencers

* Models 230 and 240 have 1 1/4" intake ports. To use #4468 silencer for these models, it is necessary to use a reducing coupling and close nipple which are not included.

Fluid Filters - Reciprocating Compressors

- Designed exclusively for Quincy Compressors
- Dual flow ports for improved lubricant filtration
- Filters clean lubricants to extend compressor life
- Use on all Quincy Pressure-Lubricated Reciprocating Compressors
- 10 Micron nominal filtration

QR-25® Fluid Filter

Part Number	Quantity	Fits
110814-001	6 Pack	All-Pressure Lube QR-25 Models

* Only available in 6 packs



#110814-001

QR-100™ Fluid Filter

Part Number	Quantity	Fits
9097-001*	6 Pack	All QR-100 Models (for use with phosphate ester and diester syn- thetic fluids)

* Requires 9096-002 adaptor for conversion



#9097

Rotary Screw Fluid Filter

Part Number	Quantity	Fits
128381-050	1	QST/B, QMB, QSVB, QSVI
128598	1	QMB/T
142136	1	QMA, QSVI, QA, QSI
142243	1	QMA, QA, QSI
125656-050	1	QSI
121015	1	QSI
22722-1	1	QSI
124331-050	1	QSI, QMA
126356-050	1	QA



Inlet Filters - Vacuum Pumps

- Inlet filters are used to remove debris and particulate matter from the vacuum gas stream and to protect the vacuum pump from solids contamination.
- For Rotary Vacuum Pumps
- Quincy vacuum inlet filters are designed for full flow placement in applications that range from atmospheric pressure to 29.9" HgV (.5 torr).
- Standard elements have a 10 micron rating and 99% filtration efficiency.
- Failure to install an inlet filter in a Quincy rotary screw vacuum pump voids the warranty.

Part Number	Conn. Size	Capacity in cfm	Weight
127357F001	1/2" NPT	10	3
127357F002	3/4" NPT	20	3
127357F003	1" NPT	25	3
127357F004	1" NPT	40	5
127357F005	1 1/4" NPT	45	3
127357F006	1 1/4" NPT	60	5
127357F007	1 1/2" NPT	80	5
127357F008	2" NPT	150	15
127357F009	2 1/2" NPT	195	15
127357F010	3" NPT	300	47
127357F011	4" NPT	520	52
127357F012	4" Flange	520	62
127357F013	5" NPT	800	82
127357F014	5" Flange	800	90
127357F015	6" NPT	1100	95
127357F016	6" Flange	1100	110
127357F017	8" Flange	1800	185
127357F018	10" Flange	2880	380
127357F019	12" Flange	4320	465
127357F020	1/2" NPT	10	3
127357F021	3/4" NPT	20	3
127357F022	1" NPT	25	3
127357F023	1" NPT	40	5
127357F024	1 1/4" NPT	45	3
127357F025	1 1/4" NPT	60	5
127357F026	1 1/2" NPT	80	5
127357F027	2" NPT	150	15
127357F028	2 1/2" NPT	195	15
127357F029	3" NPT	300	47
127357F030	4" NPT	520	52
127357F031	4" Flange	520	62
127357F032	5" NPT	800	82
127357F033	5" Flange	800	90
127357F034	6" NPT	1100	95
127357F035	6" Flange	1100	110
127357F036	8" Flange	1800	185
127357F037	10" Flange	2880	380
127357F038	12" Flange	4320	465



#127357F003



#127357F027

Replacement Inlet Filter Elements

- Reciprocating and Vacuum Products

Polyester Vacuum Element Features

- Reinforced with steel wire on I.D. & O.D.
- Filtration rated 97-98% efficient
- Washable
- Dust load capacity increases 40-50% with prefilter

Paper Element Features

- Elements made with heavy-duty industrial strength paper
- Elements bonded with thermostat resin to eliminate element separation
- Filtration rated 99% efficient
- Dust load capacity increases 40-50% with prefilter

10 Micron Polyester Filter Elements

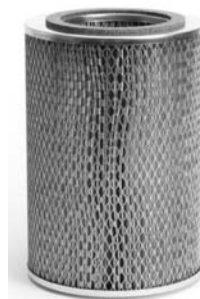
Element Part Number	Capacity in cfm	Filter Part Number
127357E001	10 to 45	127357F001, F002, F003, F005
127357E002	40 to 80	127357F004, F006, F007
127357E003	150 to 195	127357F008, F009
127357E004	300 to 520	127537F010, F011, F012
127357E005	800	127537F013, F014
127357E006	1100	127537F015, F016
127357E007	1800	127537F017
127357E008	2900	127537F018
127357E009	4950	127537F019



#127357E011

10 Micron Paper Filter Elements

Element Part Number	Capacity in cfm	Filter Part Number
127357E010	10 to 45	127357F020, F021, F022, F024
127357E011	40 to 80	127357F023, F025, F026
127357E012	150 to 195	127357F027, F028
127357E013	300 to 520	127537F029, F030, F031
127357E014	800	127537F032, F033
127357E015	1100	127537F034, F035
127357E016	1800	127537F036
127357E017	2900	127537F037
127357E018	4950	127537F038



#127357E012

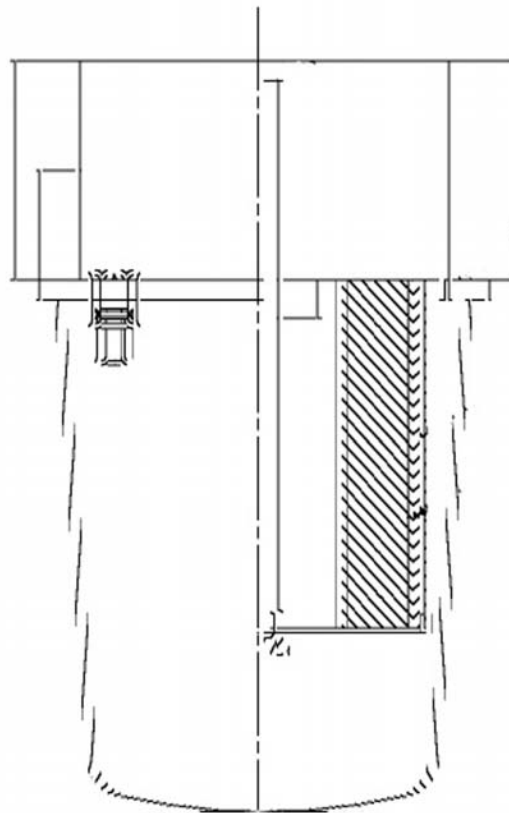
4 Micron Filter Elements Upon Request

"T" Series Inlet Filters - Vacuum Pumps

- Inlet filters remove debris and particulate matter from the vacuum gas stream and protect the vacuum pump from solids contamination.
- "T" Series inlet filters designed for vacuum applications generating heavy particulate loads.
- Quincy vacuum inlet filters designed for full flow for placement in applications ranging from atmospheric pressure to 29.9" HgV (.5 torr).
- Standard elements have a 10 micron rating and 99% filtration efficiency.
- Failure to install an inlet filter in a Quincy rotary screw vacuum pump voids the warranty.

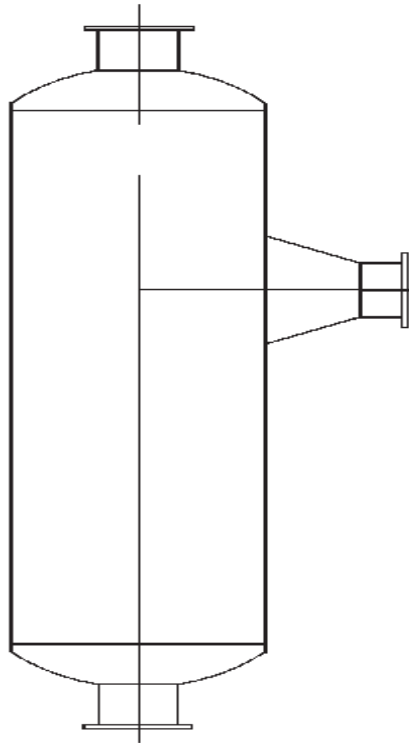
Complete Filter with Polyester Elements Part Number	"T" Series Vacuum Inlet Filters	Rating in cfm	Weight (lbs.)
**141469-301	3" NPT Inlet and Discharge Connections	300	30
**141469-401	4" NPT Inlet and Discharge Connections	520	26

- ** Replacement Element #127357E004
- ** Replacement Element #141469-053 (Buna)
- ** Replacement Element #141469-054 (Viton)



Inlet Liquid Separators - Vacuum Pumps

- Centrifugal separators remove 99% of entrained liquid over 100 microns from an incoming vacuum gas stream.
- Flange matches 125 lb. American standard flanges.
- Size range from 2" to 12".
- Consult Quincy Parts and Accessories for proper sizing and placement.



#141665

Part Number	Description	Weight (lbs.)
141665-003	3" Flange	55
141665-004	4" Flange	100
141665-005	5" Flange	145
141665-006	6" Flange	190
141665-008	8" Flange	270
141665-010	10" Flange	425
141665-012	12" Flange	745

Hour Meters

Part Number	Volt/Hz	Enclosure	Range (Hours)	Notes
23921	120/60	General Cover	99999.9	
23921-0W	120/60	Water/Dust Tight	99999.9	Use Gasket #129364
2392-1	120/50	Water/Dust Tight	99999.9	
23921-1W	120/50	General Cover	99999.9	Use Gasket #129364
23921-2	24VAC/60	General Cover	99999.9	
21553	120/60	General Cover	99999.9	Use Gasket
110871-024	24VAC/60	General Cover	99999.9	#110871-001 for
110871-120	120/60	General Cover	99999.9	Water/Dust Tight
110871-125	120/50	General Cover	99999.9	



#23921



#21553



#110871-120

GAUGES/INDICATORS

Temperature Gauges

Part Number	Enclosure	Range	
21314	1/2" NPT	60°F to 260°F	10 ft. Capillary
128664	1/2" NPT &	60°F to 260°F	10 ft. Capillary
128664-1	3/4" NPT	60°F to 260°F	10 ft. Capillary



#128664

Fluid Pressure Gauges

Part Number	Connection Size	Range (psig)	Notes
110822	1/4" NPT	5 to 30	Bottom Connect
1386	1/8" NPT	5 to 30	Center Back
110162	1/8" NPT	5 to 30	Center Back
140577-015	1/8" NPT	0 to 15	Center Back
140577-025	1/8" NPT	0 to 30	Center Back



#1386



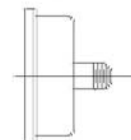
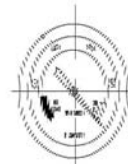
#129545

Sight Glass - Rotary Compressors

Part Number	Connection Size	Maximum Pressure	Notes	Repair Kit
129545	1/4" NPT	125 psig	For use on all QSI and QSVI air ends	129545-050

Percent Capacity Gauges

Part Number	Connection Size	Range
22397	1/8" NPT	0-100
128663	1/4" NPT	0-100

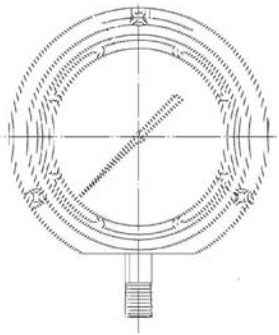


#128663

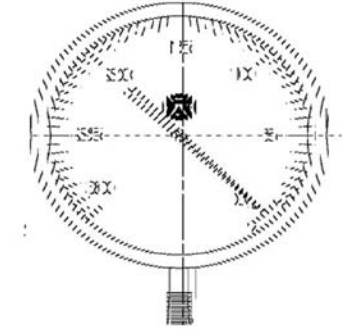
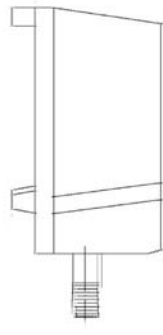
Vacuum Gauges

- Mechanical gauges for measuring vacuum system pressure.
- Choice of 4 1/2" diameter scale or 2 1/2" scale

Part Number	Description
140288	4 1/2" 0" to 30" HgV
141666	2 1/2" 0" to 30" HgV



#140288



#141666

GAUGES/INDICATORS

Air Pressure Gauges

Part Number	Connection Size	Range (psig)	Dial Face	Notes
120980	1/4" NPT	0-200	2.00"	Center Back
120980-001	1/4" NPT	0-300		
120980-002	1/4" NPT	0-400	2.50"	Center Back
120980-003	1/4" NPT	0-15	2.56"	Center Back
21313	1/4" NPT	0-200	3.50"	Center Back
128662	1/4" NPT	0-300	2.85"	Center Back
110514-060	1/4" NPT	0-60	2.00"	Center Back
110514-160	1/4" NPT	0-160		
110514-200	1/4" NPT	0-200		
110514-300	1/4" NPT	0-300		
140718	1/4" NPT	0-100	2.68"	Liquid Filled



#120980



#21313



#128662



#110514-300



#140718

Pressure Differential Indicators

- Rotary Products

- Operating pressure to 5,000 psi
- Operating temperature -40°F (-40°C) to 200°F (93°C)
- DHE model (electrical)
 - 125/250 VAC
 - 28 VDC
- DHM model (mechanical)

Part Number	Differential Pressure Setting (psig)	Model Style	Mounting Holes
23779	10	DHM	2
23779-1	15	DHM	3
23779-010	10	DHE	2
23779-015	15	DHE	2
23779-30	30	DHM	3
23779-40	40	DHM	3



#23779-1

Maintenance Indicators*

- In ordering maintenance indicators, you must know if it is for oil filter or separator.

Oil Filter Change Indicator	Separator Change Indicator
22450-15 (Switch)	22450-15 (Switch)
23779-1 Type-1	23779 Type 1
23779-015 Type 2	23779-010 Type 2
23779-30 Type 1	124972-015 (Gauge)
124972-030 Gauge	129596-001 (Tab Switch)
129596-002 (Tab Switch)	



#23779-015



#124972-015

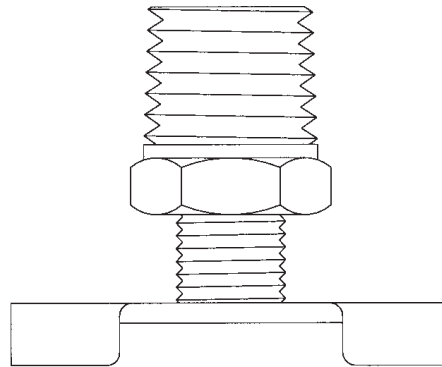
- Type 1 - Mechanical
- Type 2 - Electrical
- * Specify for oil filter or separator

Drain Valves

- Reciprocating and Rotary Compressors

Drain Cock

Part Number	Pipe Size
2713	1/4" NPT



#2713

Quincy Universal Tank Drain



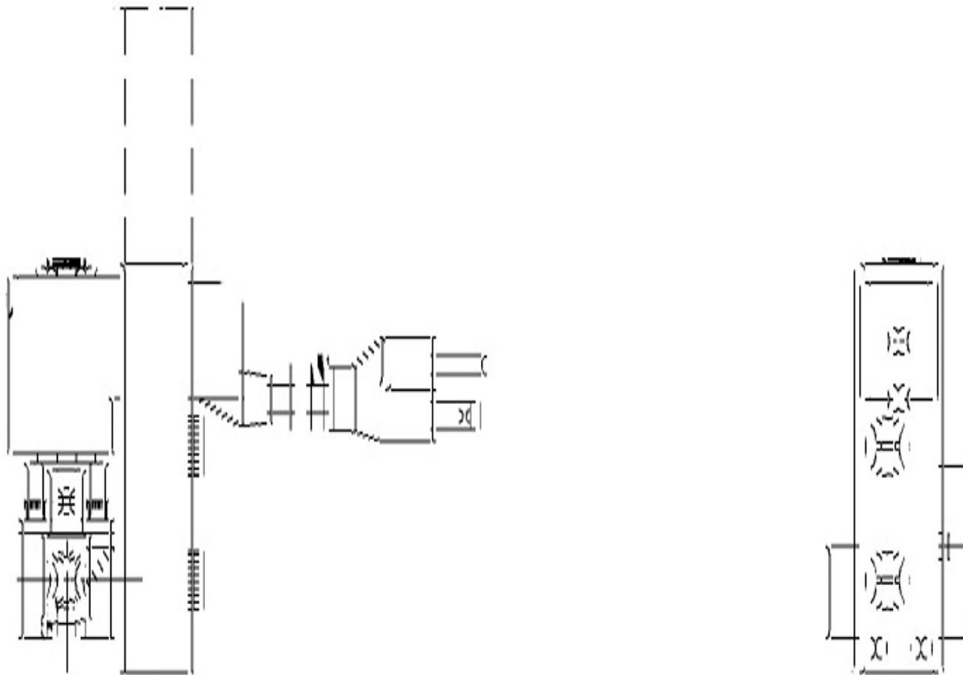
#7639

Part Number	Pipe Size		Pressure Range		Repair Kit Number
	Inlet	Outlet	Minimum	Maximum	
7639	3/8" NPT	1/4" NPT	30 psig	200 psig	7818

Electronic Drain Valves

- Reciprocating and Rotary Compressors

- Automatically drains water from compressed air systems.
- Applications for: air dryers, separators, coalescing filters, and drop legs.
- Adjustment of the timer purge time and purge interval allows for optimal system drainage.



VALVES

Part Number	Power Rating	Repair Kit Number
111520-025	120v/1 ph/60 Hz	111520K025
111520-050	120v/1 ph/60 Hz	111520K050
111520-150	230v/1 ph/60 Hz	111520K050

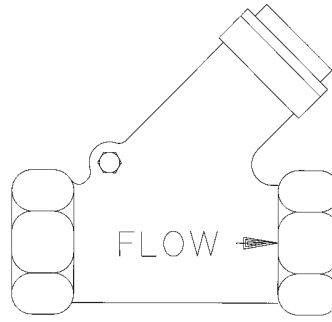
Electrical Data	Technical Data
Current Draw 10 Watt Maximum Ambient Temperature Range -4° to 122°F Dust Tight And Water Resistant to IP65 Time Ranges On 5 To 25 Seconds Off 5 To 45 Minutes	Brass Valve Bodies Stainless Steel Internal Parts Seal Material: Buna Fully Encapsulated Coil Pressure Range: 20 To 300 psig

Rotary Check Valves

- Swing Check Type

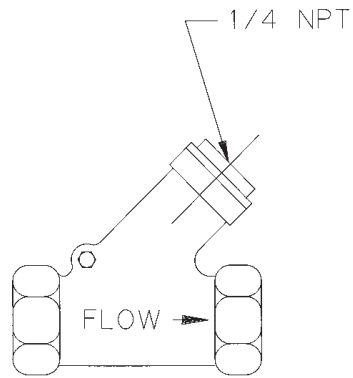
Part Number	NPT Size
See Figure #1	
123454-001	1/4"
123454-005	1/2"
123454-003	3/4"
123454-006	1"
123454-007	1 1/4"
123454-004	1 1/2"
123454-008	2"
123454-009	2 1/2"
See Figure #2	
125039K001	1 1/4"
125039K005	1 1/2"
125039K002	2"
125039K003	2 1/2"
125039K004	3"

Figure #1



#123454

Figure #2



#125039

125039 check valve is same as 123454 except that 125039 has a 1/4" NPT hole in the check valve cap for line pressure controls or a pressure gauge.

Minimum Pressure Check Valves

- Repair Parts for Rotary Compressors

Valve Part Number	Size of Valve NPT	Cranking Pressure	Fully Open Pressure	Repair Part Number	Description of Part
122501-2	1 1/4"	65	90	124734	Pressure Spring
122501-3	2"	65	90	124735	Spring
				124736	O-ring Buna
				124737	O-ring Viton
				124742	Seat Assembly
122501-4	3"	45	75	122501-050	Check Valve
				124833	Spring
				124834	O-ring
				124735	Spring
				124835	O-ring
				124837	Disc Seat Assembly
				124836	U Packing

VALVES



#122501-2



#122501-4

Dual Control Check Valve Assemblies

- Reciprocating Compressors

- For use with Part Numbers 110422-*** and 110423-*** pilot valve assemblies
(Check Valve is part of #110422 and #110423, as per page 25)

Maintenance Parts for 6194X2 Check Valve Assembly

(Use with petroleum and PAO base lubricants.)

Part Number	Quantity	Description
6194	1	Body-Check Valve (Not available; order 6194X2)
6195	1	Seat-Check Valve
123157-012	1	O-ring Buna
6196	1	Disk-Check Valve - Nitrile



#6194X2

Maintenance Parts for 6194X3 Check Valve Assembly

(Use with phosphate ester and diester base lubricants.)

Part Number	Quantity	Description
6194	1	Body-Check Valve- (Not available; order 6194X3)
6195	1	Seat-Check Valve
22749-012	1	O-ring - Viton
6196-001	1	Disk-Check Valve - Viton

Check Valves

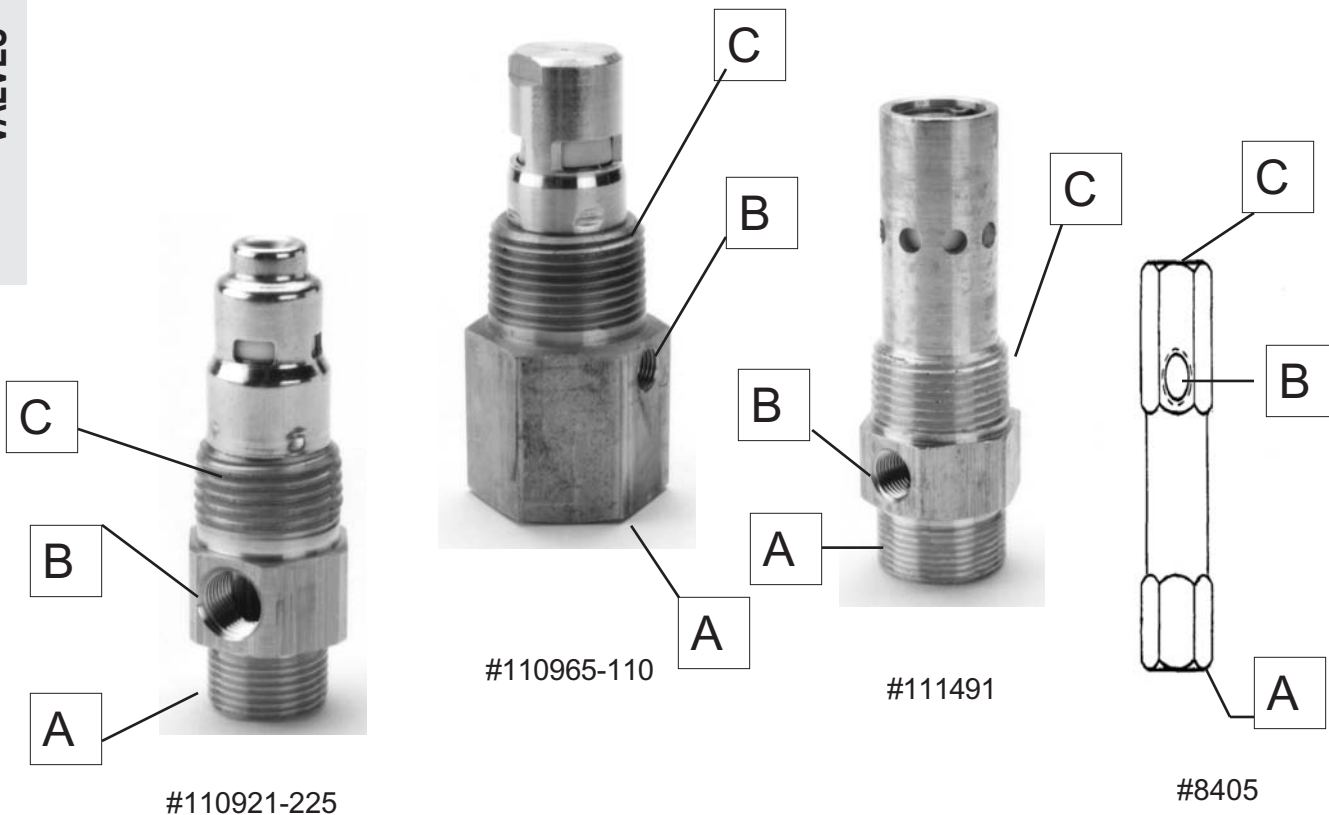
- Reciprocating Compressors

- One-way check valves for reciprocating products
- Spring-loaded, brass construction

One-way Check Valve Single Direction Air Flow

Part Number	Description	Dimensions in Inches			Maximum Working Pressure	Fitting Type
		A	B	C		
110921-155	Brass 1 Port	.52"	1/8"	1/2"	400	Tube Fitting Top Connection
110921-177	Brass 1 Port	.77"	1/8"	3/4"	400	
110921-255	Brass 2 Port	.52"	1/8"	1/2"	400	
110965-207	Brass 2 Port	3/4"	1/8"	3/4"	400	NPT fitting Top Connection
110965-107	Brass 1 Port	3/4"	1/8"	3/4"	400	
110965-210	Brass 2 Port	1"	1/8"	1"	400	
110965-110	Brass 1 Port	1"	1/8"	1"	400	
110965-112	Brass 1 Port	1 1/4"	1/8"	1/4"	400	Tube Fitting Top Connection
111491	Brass 2 Port	.77"	1/8"	3/4"	400	Tube Fitting Top Connection
8405	Brass 1 Port	3/8"	1/8"	3/8"	400	NPT Fitting Both Ends
8405-025	Brass 1 Port	1/4"	1/8"	1/4"	400	
8405-050	Brass 1 Port	1/2"	1/8"	1/2"	400	
114800-075	Brass 2 Port	3/4"	1/8"	3/4"	400	NPT Fitting Top Connection
114800-100	Brass 2 Port	1"	1/8"	1"	400	
110921-275	Brass 2 Port	3/4"	1/8"	3/4"	400	

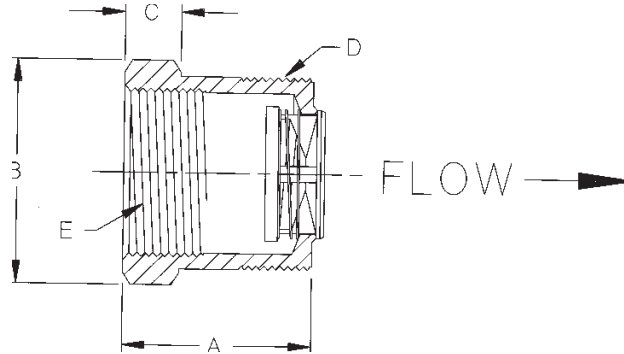
VALVES



Check Valve Bushings

- Vacuum Pumps

- High conductance spring-loaded check valve bushings seal against oil or air back migration
- O-ring seal, carbon or stainless steel construction
- Check valve bushings are used for QSVB (all) and QSVI 20.
- For horizontal mounting only



#141661

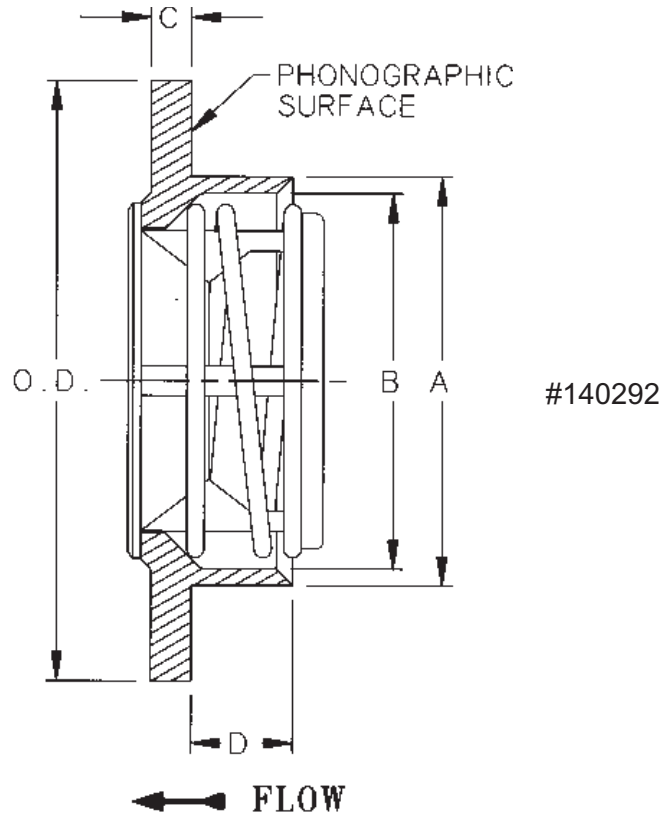
Part Number	Description	Dimensions in Inches							
		Size (Male)	Size (Female)	A	Hex Size B	C	D (NPT)	E (NPT)	Orifice Dia.
141661-001	Carbon Steel	3/4	1/2	1.3	1.12	0.25	3/4-14	1/2-14	0.46
141662-001	Stainless Steel	3/4	1/2	1.3	1.12	0.25	3/4-14	1/2-14	0.46
141661-002	Carbon Steel	1	3/4	1.8	1.38	0.5	1-11 1/2	3/4-14	0.59
141662-002	Stainless Steel	1	3/4	1.8	1.38	0.5	1-11 1/2	3/4-14	0.59
141661-003	Carbon Steel	1 1/4	1	1.8	1.75	0.5	1 1/4-11 1/2	1-11 1/2	0.89
141662-003	Stainless Steel	1 1/4	1	1.8	1.75	0.5	1 1/4-11 1/2	1-11 1/2	0.89
141661-004	Carbon Steel	1 1/2	1 1/4	2.17	2	0.62	1 1/2-11 1/2	1 1/4-11 1/2	1.14
141662-004	Stainless Steel	1 1/2	1 1/4	2.17	2	0.62	1 1/2-11 1/2	1 1/4-11 1/2	1.14
141661-005	Carbon Steel	2	1 1/2	2.17	2.5	0.62	2-11 1/2	1 1/2-11 1/2	1.39
141662-005	Stainless Steel	2	1 1/2	2.17	2.5	0.62	2-11 1/2	1 1/2-11 1/2	1.39
141661-006	Carbon Steel	2 1/2	2	2.5	3	0.62	2 1/2-8	2-11 1/2	1.56
141662-006	Stainless Steel	2 1/2	2	2.5	3	0.62	2 1/2-8	2-11 1/2	1.56
141661-007	Carbon Steel *1/8 lb. crack- ing pressure	3	2 1/2	3.1	3.5	1	3-8	2 1/2-8	2.03
141662-007	Stainless Steel *1/8 lb. crack- ing pressure	3	2 1/2	3.1	3.5	1	3-8	2 1/2-8	2.03

VALVES

Check Valve Inserts

- Vacuum Pumps

- High conductance spring-loaded check valve inserts seal against oil or air back migration
- O-ring seal, carbon or stainless steel construction
- 1/8 lb. cracking pressure
- For horizontal mounting only



VALVES

Part Number	Description	Dimensions in Inches						
		Size	A	B	C	D	O.D.	Orifice Dia.
140292-1	Carbon Steel	3"	3	3	0	1	5	2.03
140292-2	Stainless Steel	3"	3	3	0	1	5	2.03
140292-7	Carbon Steel	4"	3.96	3.66	0.38	1.05	6.18	2.56
140292-8	Stainless Steel	4"	3.96	3.66	0.38	1.05	6.18	2.56
140292-3	Carbon Steel	5"	4.98	4.58	0.5	1.25	7.31	3.28
140292-4	Stainless Steel	5"	4.98	4.58	0.5	1.25	7.31	3.28
140292-5	Carbon Steel	6"	6	5.65	0.38	1.51	8.5	3.88
140292-6	Stainless Steel	6"	6	5.65	0.38	1.51	8.5	3.88

Pilot Valves

- Reciprocating Compressors

- For all Quincy QR, QT, QTS, QRD, and QDD models.
- Load and unload pressure settings are easily adjustable and repeatability is superior.
- Design provides a cleaner appearance and increased reliability.
- Full assortment of repair parts and kits available.

Pilot Valves - QR Products

Part Number	Standard Setting psig	Special Notes
QR Products - Use on "S" Version Machines - Continuous Run		
110832-997	30 to 70	Unload ranges are adjustable. See range chart on page 27.
110832-998	71 to 150	
110832-999	151 to 400	
110832-000	401 to 500	
110832-040	30 to 40	
110832-080	70 to 80	
110832-090	80 to 90	
110832-100	90 to 100	
110832-110	100 to 110	
110832-140	130 to 140	
110832-150	135 to 150	
110832-165	150 to 165	
110832-175	165 to 175	
110832-250	225 to 250	
110832-060	50 to 60	
110832-125	110 to 125	
110832-050	42 to 50	



#110832-150

* Field set within ranges specified

Pilot Valves - QR Models

- Design provides a cleaner appearance and increased reliability.
- LS and LVD versions incorporate 6194X2 check valve

Part Number	Standard Setting - psig	Special Notes
QR Products - Use on "LS" Version Machines -Continuous Run with Hydraulic Unloader		
111422-997*	30-70	Unload Ranges are adjustable. See Range Chart on page 27.
111422-998*	71-150	
111422-999*	151-400	
111422-000*	401-500	
111422-080	70-80	
111422-100	90-100	
111422-110	100-110	
111422-140	130-140	
111422-150	135-150	
111422-175	165-175	
QR Products - Use on "LVD" Version Machines -Dual Control with Hydraulic Unloader QR Products - Use on "LVD" Version Machines		
111423-997*	30-70	Unload Ranges are adjustable. See Range Chart on page 27.
111423-998*	71-1520	
111423-999*	151-400	
111423-000*	401-500	
111423-080	70-80	
111423-100	90-100	
111423-110	100-110	
111423-140	130-140	
111423-150	135-150	
111423-165	150-165	
111423-175	165-175	



#111422-100



#111423-100

VALVES

* Field set within ranges specified

Pilot Valves - Repair Kit, Replacement Springs, and Differential Setting Ranges

- Reciprocating Compressors

Differential Setting Range Chart			
Spring Number	Unload Pressure (psig)	Minimum Differential (psig)	Maximum Differential (psig)
110832-052	30	2	4
	40	5	8
	50	5	8
	60	5	8
	70	5	10
110832-053	80	5	10
	90	5	12
	100	5	13
	110	5	15
	120	5	15
	130	5	18
	140	5	18
110832-054	150	5	20
	160	5	15
	170	5	20
	175	5	23
	200	5	25
	250	10	30
110832-054	300	10	40
	400	30	50
110832-055	500	40	75

Pilot Repair Kit Number - *110832-051		
Item	Quantity	Description
1	2	Screen
2	1	Filter
3	1	O-ring
4	1	O-ring
5	1	Ball
6	1	Disc
7	1	O-ring
8	1	Pin

* Use for repairing pilot
#110832
#111422
#111423

Pilot Replacement Springs		
Color Code	Unload Range	Spring Number
Red	30-70	110832-052
Yellow	71-150	110832-053
Green	151-400	110832-054
Black	401-500	110832-055

VALVES

Pilot Valves - QT and Dual Control QT, QTS, QR and QRD

- Design provides a cleaner appearance and increased reliability
- Load and unload pressure settings are easily adjustable and repeatability is superior.

Part Number	Standard Setting - psig	Special Notes
QT Products - Use on QTS		
112999-125*	110-125	Unload Ranges are Adjustable
112999-110*	95-110	
112961-125+	110-125	
QT Products - Use on QT15 & QT25		
113320-095	75-95	Note: Repair Kit #113320K includes Spring
113320-115	100-115	
113320-140	125-140	
113320-165	150-165	
113321-090	80-90	
113321-100	90-100	Unload Ranges are adjustable
113321-110	100-110	
113321-125	110-125	
113321-140	130-140	
113321-150	135-150	
113321-165	150-165	
113321-175	165-175	
QT & QRD Products - Dual Control Operation		For use with
110998-045	35-45	QRD
110998-070	50-70	QRD
110998-085	75-85	QT
110998-095	75-95	QRD,QT,QTS Dup
110998-115	100-115	QRD, QT
110998-140	125-140	QT
110998-165	150-165	QT
For QRD & QT Products - Continuous Run		
113708-050	35-45	
113708-075	50-70	
113708-100	75-85	
113708-125	75-95	
113708-175	150-175	
114551	40-250	QTG-11K
114867	40-250	QTG11H

* Dual Control
+ Continuous Run



#112999-110



#113320-115



#110998-140

Pressure - Relief Valves

- Brass body for pressures less than 300 psig
- Steel body for pressures above 300 psig
- Available in a wide variety of pressure settings

- ASME certified
- National Board certified

Part Number	Inlet size	Outlet Size	Set Pressure	Rated SCFM	Special Notes
111089-100	1/8"	Drilled Port	100	95	Brass Body / Soft Seat
111089-140	1/8"	Drilled Port	140	128	Brass Body / Soft Seat
111089-150	1/8"	Drilled Port	150	136	Brass Body / Soft Seat
111089-165	1/8"	Drilled Port	165	149	Brass Body / Soft Seat
111089-175	1/8"	Drilled Port	175	147	Brass Body / Soft Seat
111089-200	1/8"	Drilled Port	200	178	Brass Body / Soft Seat
111089-215	1/8"	Drilled Port	215	190	Brass Body / Soft Seat
3767-90	1/4"	Drilled Port	90	122	Brass Body / Metal Seat
3767-100	1/4"	Drilled Port	100	133	Brass Body / Metal Seat
3767-200	1/4"	Drilled Port	200	251	Brass Body / Metal Seat
2961-55	1/4"	Drilled Port	55	37	Brass Body / Metal Seat
2961-65	1/4"	Drilled Port	65	42	Brass Body / Metal Seat
2961-90	1/4"	Drilled Port	90	56	Brass Body / Metal Seat
2961-100	1/4"	Drilled Port	100	63	Brass Body / Metal Seat
2961-120	1/4"	Drilled Port	120	73	Brass Body / Metal Seat
2961-125	1/4"	Drilled Port	125	77	Brass Body / Metal Seat
2961-150	1/4"	Drilled Port	150	90	Brass Body / Metal Seat
2961-160	1/4"	Drilled Port	160	85	Brass Body / Metal Seat
2961-165	1/4"	Drilled Port	165	98	Brass Body / Metal Seat
2961-185	1/4"	Drilled Port	185	109	Brass Body / Metal Seat
2961-200	1/4"	Drilled Port	200	118	Brass Body / Metal Seat
2961-215	1/4"	Drilled Port	215	128	Brass Body / Metal Seat
2961-225	1/4"	Drilled Port	225	132	Brass Body / Metal Seat
2961-250	1/4"	Drilled Port	250	145	Brass Body / Metal Seat
2961-275	1/4"	Drilled Port	275	159	Brass Body / Metal Seat



#111089-215



#3767-200



#2961-90

VALVES

Pressure - Relief Valves

Part Number	Inlet Size	Outlet Size	Set Pressure	Rated SCFM	Special Notes
110513-115	1/4"	Drilled Port	115	97	Brass Body / Soft Seat
110513-125	1/4"	Drilled Port	125	104	Brass Body / Soft Seat
110513-137	1/4"	Drilled Port	137	114	Brass Body / Soft Seat
110513-150	1/4"	Drilled Port	150	122	Brass Body / Soft Seat
110513-165	1/4"	Drilled Port	165	135	Brass Body / Soft Seat
110513-175	1/4"	Drilled Port	175	143	Brass Body / Soft Seat
110513-200	1/4"	Drilled Port	200	160	Brass Body / Soft Seat
110513-225	1/4"	Drilled Port	225	194	Brass Body / Soft Seat
110513-250	1/4"	Drilled Port	250	214	Brass Body / Soft Seat
141477-165	1/4"	Drilled Port	165	197	Brass Body / Soft Seat
141477-175	1/4"	Drilled Port	175	207	Brass Body / Soft Seat
141477-200	1/4"	Drilled Port	200	235	Brass Body / Soft Seat
141478-165	1/2"	Drilled Port	165	392	Brass Body / Soft Seat
141478-175	1/2"	Drilled Port	175	414	Brass Body / Soft Seat
141478-200	1/2"	Drilled Port	200	469	Brass Body / Soft Seat
3769-90	1/2"	Drilled Port	90	142	Brass Body / Metal Seat
3769-120	1/2"	Drilled Port	120	183	Brass Body / Metal Seat
3769-200	1/2"	Drilled Port	200	292	Brass Body / Metal Seat
3769-225	1/2"	Drilled Port	225	326	Brass Body / Metal Seat
121232-2	1/2"	Drilled Port	175	414	Brass Body / Metal Seat
3371-150	3/4"	Drilled Port	150	183	Brass Body / Brass Seat



#110513-150



#3769-120

Pressure - Relief Valves

Part Number	Inlet Size	Outlet Size	Set Pressure	Rated SCFM	Special Notes
112526-300	1/2"	3/4"	300	671	Steel Body / Steel Seat
112526-325	1/2"	3/4"	325	725	Steel Body / Steel Seat
112526-350	1/2"	3/4"	350	778	Steel Body / Steel Seat
112526-375	1/2"	3/4"	375	832	Steel Body / Steel Seat
112526-400	1/2"	3/4"	400	886	Steel Body / Steel Seat
112526-425	1/2"	3/4"	425	939	Steel Body / Steel Seat
112526-435	1/2"	3/4"	435	960	Steel Body / Steel Seat
112526-475	1/2"	3/4"	475	1046	Steel Body / Steel Seat
112526-550	1/2"	3/4"	550	1207	Steel Body / Steel Seat
112526-575	1/2"	3/4"	575	1260	Steel Body / Steel Seat
141966-48	1/2"	3/4"	65	167	Brass Body / Brass Seat
141966-19	1/2"	3/4"	115	275	Brass Body / Brass Seat
141966-20	1/2"	3/4"	140	328	Brass Body / Brass Seat
141966-21	1/2"	3/4"	165	370	Brass Body / Brass Seat
141966-23	1/2"	3/4"	175	391	Brass Body / Brass Seat
141966-22	1/2"	3/4"	200	455	Brass Body / Brass Seat
141966-46	1/2"	3/4"	225	498	Brass Body / Brass Seat
141966-47	1/2"	3/4"	240	542	Brass Body / Brass Seat



#112526-300

VALVES

Pressure - Relief Valves

Part Number	Inlet Size	Outlet Size	Set Pressure	Rated SCFM	Special Notes
23268-26	3/4"	1"	125	526	Brass Body / Brass Seat
141966-1	3/4"	1"	150	349	Brass Body / Brass Seat
23268-8	3/4"	1"	165	659	Brass Body / Brass Seat
141966-6	3/4"	1"	175	697	Brass Body / Brass Seat
23268-27	3/4"	1"	200	812	Brass Body / Brass Seat
23268-30	3/4"	1"	225	889	Brass Body / Brass Seat
23268-29	3/4"	1"	250	1002	Brass Body / Brass Seat
23268-35	3/4"	3/4"	135	317	Brass Body / Brass Seat
23268-36	3/4"	3/4"	165	370	Brass Body / Brass Seat
23268-37	3/4"	3/4"	175	391	Brass Body / Brass Seat
23268-38	3/4"	3/4"	200	455	Brass Body / Brass Seat
23268-33	1"	1 1/4"	15	169	Brass Body / Brass Seat
23268-25	1"	1 1/4"	30	258	Brass Body / Brass Seat
141966-2	1"	1 1/4"	150	394	Brass Body / Brass Seat
23268-15	1"	1 1/4"	160	1033	Brass Body / Brass Seat
141966-11	1"	1 1/4"	175	1092	Brass Body / Brass Seat
23268-50	1"	1 1/4"	225	1392	Brass Body / Brass Seat
9158-40	3/4"	Top Port	40	203	Brass Body / Brass Seat
9158-60	3/4"	Top Port	60	279	Brass Body / Brass Seat
9158-75	3/4"	Top Port	75	336	Brass Body / Brass Seat
9158-100	3/4"	Top Port	100	431	Brass Body / Brass Seat
9158-125	3/4"	Top Port	125	526	Brass Body / Brass Seat
9158-140	3/4"	Top Port	140	583	Brass Body / Brass Seat
3371-150	3/4"	Top Port	150	183	Brass Body / Brass Seat
9159-60	1"	Top Port	60	437	Brass Body / Brass Seat
9159-75	1"	Top Port	75	526	Brass Body / Brass Seat



#23268-2

Pressure - Relief Valves

Part Number	Inlet Size	Outlet Size	Set Pressure	Rated SCFM	Special Notes
23268-18	1 1/4"	1 1/2"	100	1088	Brass Body / Brass Seat
141966-3	1 1/4"	1 1/2"	150	1597	Brass Body / Brass Seat
23268-44	1 1/4"	1 1/2"	165	1695	Brass Body / Brass Seat
23268-10	1 1/4"	1 1/2"	175	1793	Brass Body / Brass Seat
23268-7	1 1/4"	1 1/2"	200	2086	Brass Body / Brass Seat
23268-14	1 1/4"	1 1/2"	215	2184	Brass Body / Brass Seat
23268-9	1 1/4"	1 1/2"	225	2281	Brass Body / Brass Seat
23268-17	1 1/4"	1 1/2"	240	2477	Brass Body / Brass Seat
23268-16	1 1/4"	1 1/2"	250	2575	Brass Body / Brass Seat
23268-32	1 1/2"	1 1/2"	40	522	Brass Body / Brass Seat
23268-28	1 1/2"	1 1/2"	50	619	Brass Body / Brass Seat
23268-39	1 1/2"	1 1/2"	60	717	Brass Body / Brass Seat
23268-34	1 1/2"	2"	15	433	Brass Body / Brass Seat
23268-31	1 1/2"	2"	140	2338	Brass Body / Brass Seat
23268-4	1 1/2"	2"	150	2491	Brass Body / Brass Seat
23268-12	1 1/2"	2"	175	2796	Brass Body / Brass Seat
23268-41	2"	2"	40	1698	Brass Body / Brass Seat
23268-24	2"	2 1/2"	25	959	Brass Body / Brass Seat
23268-40	2"	2 1/2"	60	1834	Brass Body / Brass Seat
141966-5	2"	2 1/2"	150	4084	Brass Body / Brass Seat
23268-13	2"	2 1/2"	175	4584	Brass Body / Brass Seat
23268-51	2"	2 1/2"	235	6084	Brass Body / Brass Seat
23268-42	2 1/2"	2 1/2"	40	2573	Brass Body / Brass Seat
23268-43	2 1/2"	3"	15	956	Lift Lever Release
23268-45	2 1/2"	3"	15	956	Pressure Tight Cap
23268-49	2 1/2"	3"	40	3728	Brass Body / Brass Seat



#23268-2

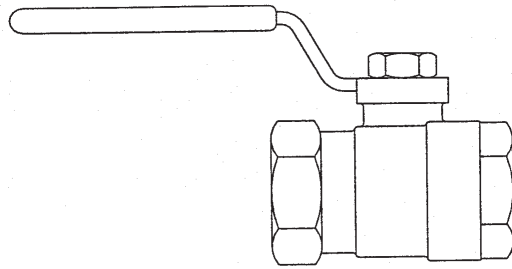


#9158-6

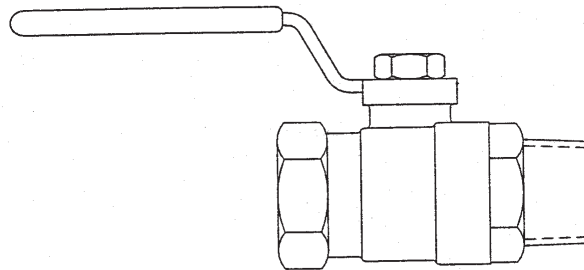
VALVES

Compressor Ball Valves

Part Number	Description	Size Inches	Tank Mount
110425-025	1/4 Turn Valve, Brass	1/4" NPT	Female
110425-038	1/4 Turn Valve, Brass	3/8" NPT	Female
110425-050	1/4 Turn Valve, Brass	1/2" NPT	Female
110425-075	1/4 Turn Valve, Brass	3/4" NPT	Female
110425-100	1/4 Turn Valve, Brass	1" NPT	Female
110425-125	1/4 Turn Valve, Brass	1 1/4" NPT	Female
110425-150	1/4 Turn Valve, Brass	1 1/2" NPT	Female
110425-200	1/4 Turn Valve, Brass	2" NPT	Female
110425-250	1/4 Turn Valve, Brass	2 1/2" NPT	Female
110425-300	1/4 Turn Valve, Brass	3" NPT	Female



#110425

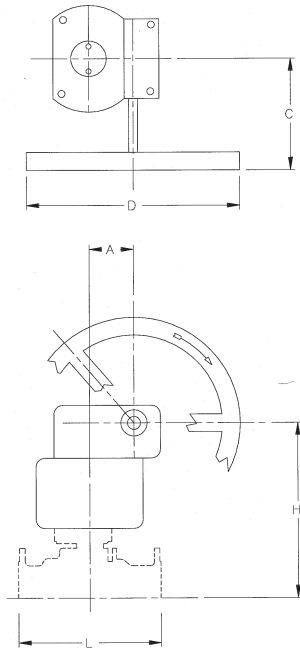


#111136

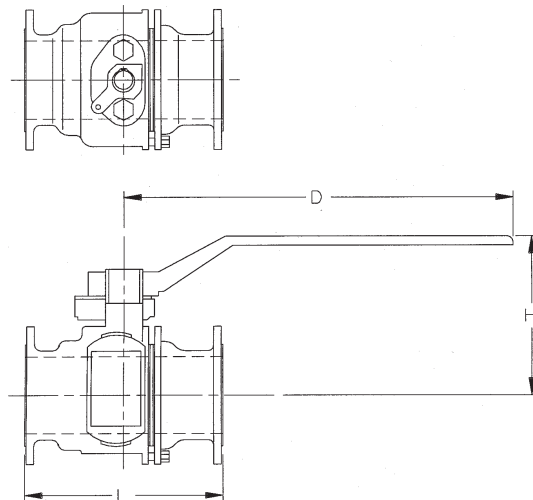
Part Number	Description	Size Inches	Tank Mount
111136-025	1/4 Turn Valve, Brass	1/4" NPT	Male
111136-038	1/4 Turn Valve, Brass	3/8" NPT	Male
111136-050	1/4 Turn Valve, Brass	1/2" NPT	Male
111136-075	1/4 Turn Valve, Brass	3/4" NPT	Male
111136-100	1/4 Turn Valve, Brass	1" NPT	Male

Vacuum Ball Valves: Flanged

- Ball valves seal vacuum systems ranging from atmospheric pressure to 29.9" HgV (.01 torr).
- Full flow ball valves featuring carbon steel body and stainless steel trim.
- 10 position lever operation or worm gear operation



Worm Gear



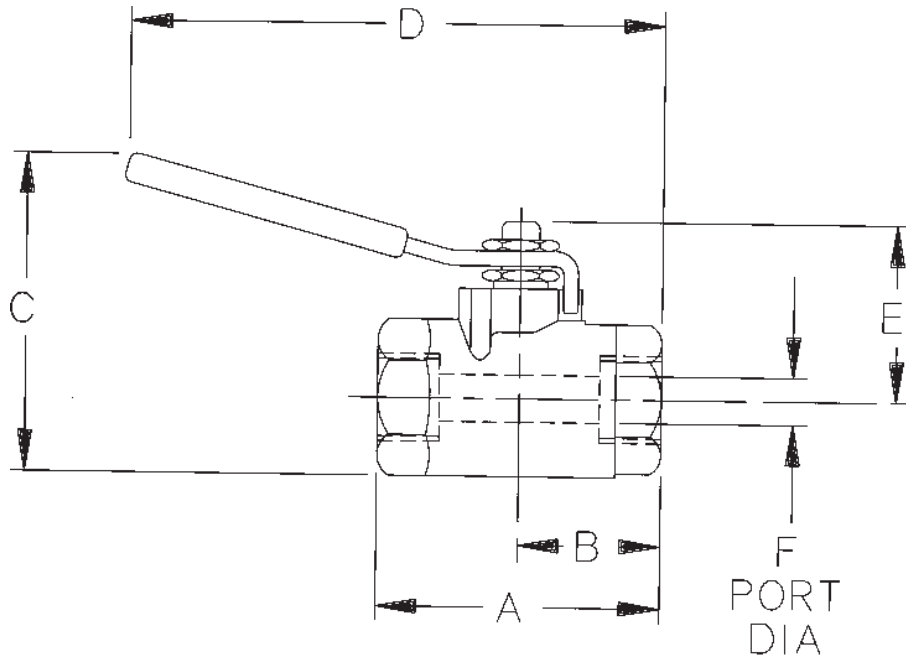
10 Position Lever

#141668

Part Number	Description	Dimensions in Inches						
		Size	Bore	L	H	D	A	C
141668-003	10 Position Lever Operation	3"	3.15	8	8.6	15.75	*	*
141668-004	10 Position Lever Operation	4"	3.94	9	7.87	17.11	*	*
141668-006	10 Position Lever Operation	6"	5.91	15.5	11.61	39.37	*	*
141668-G06	Worm Gear Operation	6"	5.91	15.5	13.27	12.2	2.58	6.5
141668-008	10 Position Lever Operation	8"	7.87	18	13.98	59.06	*	*
141668-G08	Worm Gear Operation	8"	7.87	18	16.3	14.17	3.48	8.27
141668-G10	Worm Gear Operation	10"	9.84	21	18.78	19.69	3.68	14.29

Vacuum Ball Valves: NPT

- Valves seal vacuum systems ranging from atmospheric pressure to 29.9" HgV (.01 torr).
- Full flow ball valves featuring carbon steel body and valve stem with Teflon seals.
- Quarter-turn ball valves, 2000 lb. working pressure

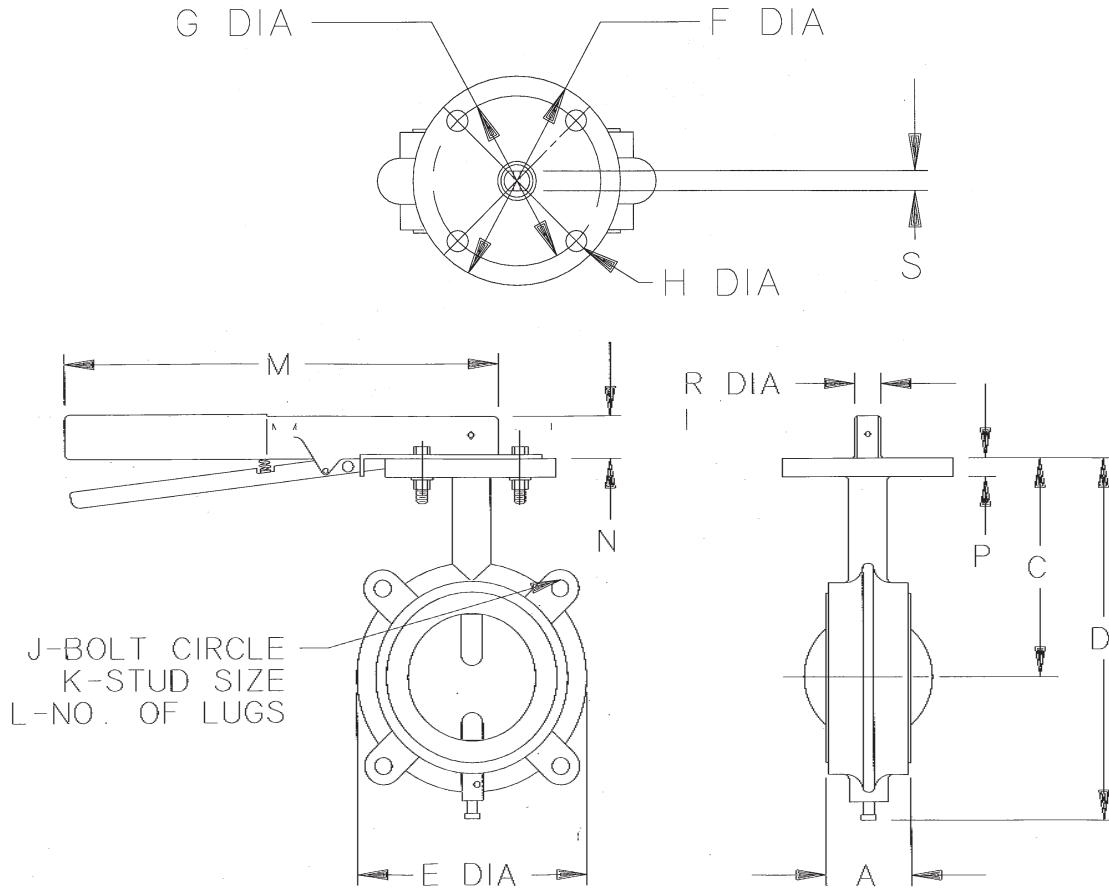


#140286

Part Number	Description	Dimensions in Inches						
		Size NPT	A	B	C	D	E	F
140286-1	Hand Lever Operation	1/4	2.81	1.47	1.81	4	1.19	0.31
140286-2	Hand Lever Operation	3/8	2.81	1.47	1.81	4	1.19	0.31
140286-3	Hand Lever Operation	1/2	2.81	1.47	1.81	4	1.19	0.31
140286-4	Hand Lever Operation	3/4	3.06	1.63	1.81	4	1.28	0.5
140286-5	Hand Lever Operation	1	3.75	1.87	2.59	5.5	1.72	0.63
140286-6	Hand Lever Operation	1 1/4	3.84	0.03	2.75	5.5	1.91	0.81
140286-7	Hand Lever Operation	1 1/2	4.13	2.16	3.34	7	2.16	1
140286-8	Hand Lever Operation	2	4.89	2.41	3.59	7	2.38	1.25

Vacuum Butterfly Valves: Lug Body

- Valves seal vacuum systems ranging from atmospheric pressure to 29.9" HgV (.01 torr).
- Full flow butterfly valves featuring ductile iron body with Viton seals.
- 10 position lever operation

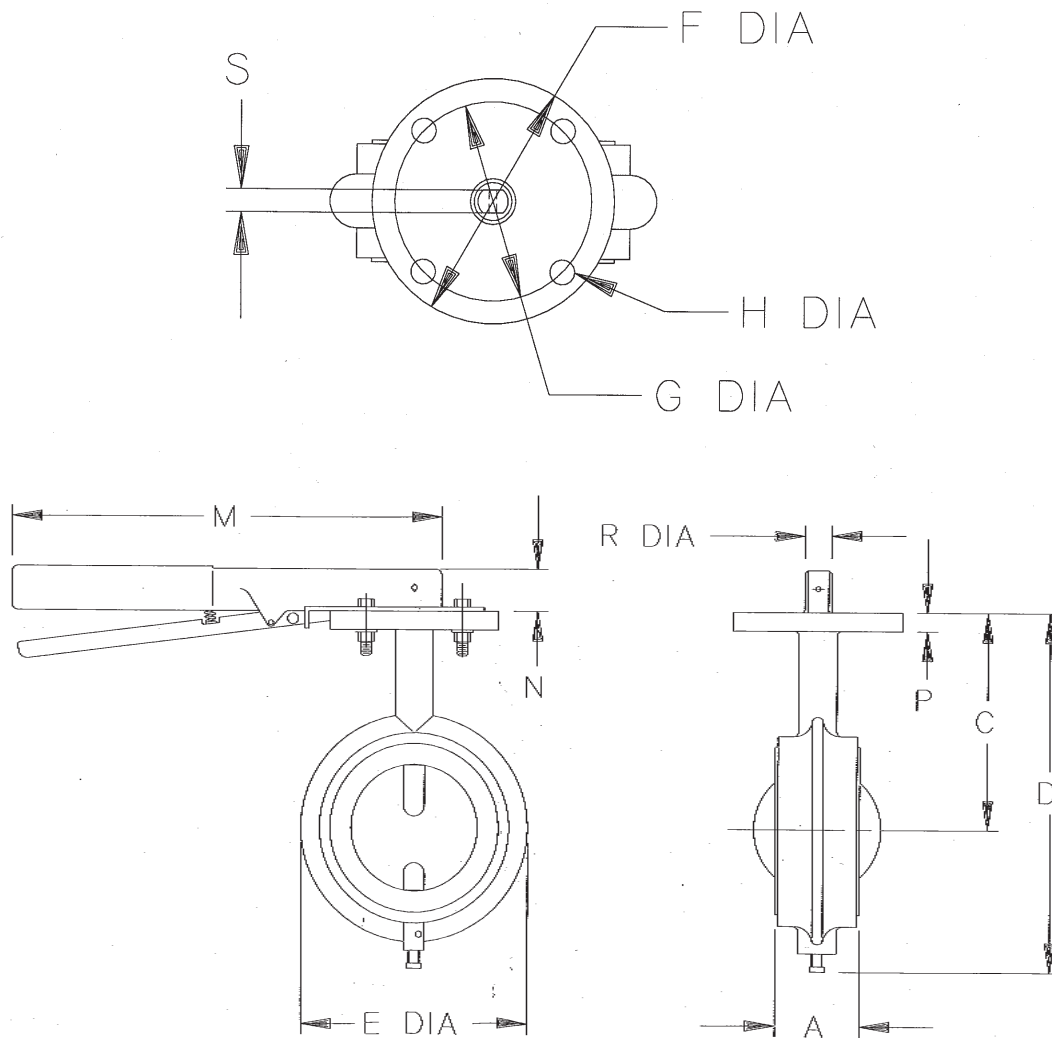


#141672

Part Number	Size	Dimensions in Inches														
		A	C	D	E	F	G	H	J	K	L	N	M	P	R	S
141672-003	3"	1.86	4.69	8	5.38	4	3.25	0.41	6	5/8-11	4	1	9.5	0.44	0.63	0.38
141672-004	4"	2.11	5.44	9.31	6.88	4	3.25	0.41	7.5	5/8-11	8	1	9.5	0.44	0.63	0.38
141672-005	5"	2.24	6.38	10.75	7.75	4	3.25	0.41	8.5	3/4-10	8	1.25	11	0.44	0.84	0.5
141672-006	6"	2.24	6.88	11.88	8.75	4	3.25	0.41	9.5	3/4-10	8	1.25	11	0.44	0.84	0.5
141672-008	8"	2.54	8.06	14.19	11	6	5	0.53	11.75	3/4-10	8	1.38	15	0.56	0.84	0.5
141672-010	10"	2.74	9.97	17.41	13.38	6	5	0.53	14.25	7/8-9	12	1.38	15	0.56	0.96	0.63

Vacuum Butterfly Valves: Wafer Body

- Valves seal vacuum systems ranging from atmospheric pressure to 29.9" HgV (.01 torr).
- Full flow flanged butterfly valves featuring ductile iron body with Viton seals.
- 10 position lever operation



#141671

Part Number	Size	Dimensions in Inches											
		A	C	D	E	F	G	H	N	M	P	R	S
141671-003	3"	1.86	4.69	8	5.38	4	3.25	0.41	1	9.5	0.44	0.63	0.38
141671-004	4"	2.11	5.44	9.31	6.88	4	3.25	0.41	1	9.5	0.44	0.63	0.38
141671-005	5"	2.24	6.38	10.75	7.75	4	3.25	0.41	1.25	11	0.44	0.84	0.5
141671-006	6"	2.24	6.88	11.88	8.75	4	3.25	0.41	1.25	11	0.44	0.84	0.5
141671-008	8"	2.54	8.06	14.19	11	6	5	0.53	1.38	15	0.56	0.84	0.5
141671-010	10"	2.74	9.97	17.14	13.38	6	5	0.53	1.38	15	0.56	0.96	0.63

Water Temperature Regulating Valves

- Rotary and Reciprocating QR-100™ Compressors

- Regulates water flow to maintain desired temperature.
- Used in water-cooled compressors and water-cooled aftercoolers.

Part Number	Description	Pipe Size	Temperature Range °F
23219-1	6 ft. capillary with 1/2" NPT	1" NPT	115-180°
23475	8 ft. capillary with 3/4" NPT	1 1/4" NPT	115-180°
23219-2	6 ft. capillary with 1/2" NPT	1 1/4" NPT	115-180°
7651	6 ft. capillary	1/2" NPT	115-180°



#23219-1

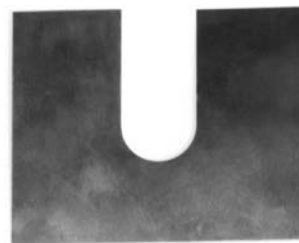


#23219-2

Shims for Coupling Alignment

- Rotary Compressors

Part Number	Shim Thickness (Inches)
21961	.015
21962	.005
21962-002	.002
21962-003	.003
122354	.010
122355	.020

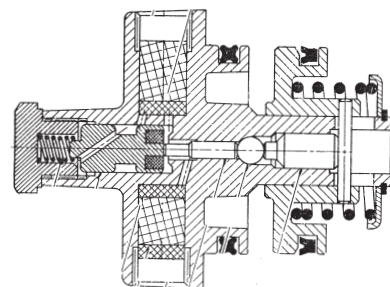


#21961

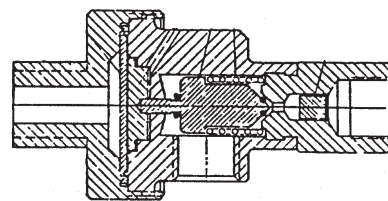
Hydraulic Unloader Assembly

- Reciprocating Compressors

Part Number	Pressure Range (psig)	Description
110827-001	0-200	Hydraulic Unloader Assembly
110827-002	201-500	Hydraulic Unloader Assembly
*110827-003	0-200	Hydraulic Unloader Assembly
*110827-004	201-500	Hydraulic Unloader Assembly
7970X	0-200	Hydraulic Unloader Assembly
*7970XSL	0-200	Hydraulic Unloader Assembly
7970XV	Vac Units	Hydraulic Unloader Assembly
7970X1	201-500	Hydraulic Unloader Assembly
*7970X1SL	201-500	Hydraulic Unloader Assembly



#7970



#110827

- Not all hydraulic unloader assemblies are for use with all compressor systems
- Hydraulic unloader assembly ordered should be within the operating psig limits of the system
- * For use with diester or phosphate ester synthetic lubricants

Hydraulic Unloader Repair Kit

- Reciprocating Compressors

Part Number	For Hydraulic Unloader Number
8063	7970X and 7970X1
113225	110827-XXX (All Models) * New Style
8063-001	7970XSL & 7970X1SL

- * The new style is easily distinguished by the two alpha characters stamped in the body next to the vent hole.
- * DO NOT use these kits in any unloader that does not qualify by these parameters.

Inlet Valve Repair Kits

- Rotary Compressors

Part Number	Kit Part Number	Notes
126468	129071-001	Vertical Inlet Valve

Moisture Trap Repair Kits

- Rotary Compressors



Moisture Trap

Repair Kit Part Number	Gasket Only	Fits Moisture Trap	Sizes
7791	8231	110382	1/2" - 3/4"
7792	8230	110382	1" - 3"
7899-051	8230	7899-150	1 1/2"
124827-052	124827-051	124827	3/4" - 3"



#124827-125

Air Motor Repair Kits

- Rotary Compressors

Part Number	Air Motor Diameter	Kit Part Number	Notes
20416	N.A.	20785	Pancake Type Air Motor
20647	3 1/4"	21807	Butterfly Type Inlet Valve
22879-016	7 3/8"	122118	Horizontal Total Closed Inlet Valve
141075-042	4 1/2"	123467	Horizontal Total Closed Inlet Valve
141075	4 1/2"	123467	Horizontal Total Closed Inlet Valve



#126468

KITS

Thermostat Valve Repair Kits

- Rotary Compressors

Thermostatic Valve 20344 Fluid Power	
Repair Kit Number	Kit Fits Valve Number
22331	20344 (130°F)
22331	20344-002 (130°F)
22331-002	20344-003 (180°F)
22331-002	20344-005 (195°F)
22331-001	20344-075 (80°F)
22331-003	20344-006 (195°F)
	20344-007 (210°F)
22331-005	20344008 (190°F)
22331-006	20344-009 (210°F)

Thermostatic Valve 125732 Fluid Power	
Repair Kit Number	Kit Fits Valve Number
125732-050	125732-140 (140°F)
125732-057	125732-160 (160°F)
125732-055	125732-180 (180°F)

Thermostatic Valve 128785 Fluid Power	
Repair Kit Number	Kit Fits Valve Number
124973-050	20203 (140°F)
124973-050	20204 (140°F)
125875-050	20203-075 (140°F)
21338-1	12875-001 (75°F)

Thermostatic Valve 124973 Fluid Power	
Repair Kit Number	Kit Fits Valve Number
124973-050	124973-001 (140°F)
124973-050	124973-002 (140°F)
124973-050	124973-003 (140°F)
124973-050	124973-004 (140°F)
124973-056	124973-005 (180°F)
124973-056	124973-006 (180°F)
124973-056	124973-007 (180°F)
124973-056	124973-008 (180°F)
124973-062	124973-009 (200°F)
124973-050	124973-010 (140°F)
124973-056	124973-011 (180°F)
124973-069	124973-012 (210°F)
124973-069	124973-013 (220°F)
124973-062	124973-014 (200°F)
124973-064	124973-015 (160°F)
124973-060	124973-016 (190°F)
124973-069	124973-017 (210°F)
124973-060	124973-018 (190°F)

Thermostatic Valve 128786 Fluid Power	
Repair Kit Number	Kit Fits Valve Number
128786-050	128786-140 (140°F)
128786-055	128786-160 (160°F)
128786-056	128786-170 (170°F)
128786-058	128786-180 (180°F)
128786-061	128786-200 (200°F)

Thermostatic Valve 20344 AMOT	
Repair Kit Number	Kit Fits Valve Number
22331A	20344A (130°F)
22331A	20344A002 (130°F)
22331A002	20344A003 (180°F)
22331A002	20344A004 (180°F)
22331A003	20344A005 (195°F)
22331A001	20344A075 (80°F)
22331A003	20344A006 (195°F)

Thermostatic Valve 125732 AMOT	
Repair Kit Number	Kit Fits Valve Number
125732A050	125732-140 (140°F)
125732A055	125732-180 (180°F)

Thermostatic Valve 128785 AMOT	
Repair Kit Number	Kit Fits Valve Number
21338	20203A (140°F)
21338	20204A (140°F)
21338-1A	20203A075 (75°F)
125875A050	12875A001 (140°F)
125875-052	12875A002 (160°F)

Thermostatic Valve 125657 Fluid Power	
Repair Kit Number	Kit Fits Valve Number
125657-050	125657 (140°F)
125657-050	125657-001 (140°F)
125657-050	125657-002 (140°F)
125657-055	125657-003 (180°F)
125657-055	125657-004 (180°F)
125657-055	125657-005 (180°F)
125657-055	125657-006 (180°F)
125657-060	125657-007 (200°F)
125657-060	125657-008 (200°F)
125657-060	125657-009 (200°F)
125657-061	125657-010 (90°F)
125657-063	125657-011 (150 F)
125657-055	125657-012 (180 F)
125657-067	125657-013 (190 F)
125657-067	125657-014 (190°F)
125657-065	125657-015 (205°F)
125657-067	125657-016 (190°F)

Thermostatic Valve 20344	
Repair Kit Number	Kit Fits Valve Number
23328	20343 (140°F)
	20343-001 (140°F)



#20344



#125657-004



#124973-001

* When Ordering Kit,
Specify Amot Or Fluid Power

Maintenance Kits for QR-25®, QT®, and QTS®

-Reciprocating Compressors

- Kits contain all parts necessary to service either QTS, QT, or QR basic pumps manufactured within the referenced record of change.
- QR overhaul kits include side seal rings standard rings available upon request.
- Pin kits on X2-X3-X8-206-210-214 include con-rod assemblies. (These models do not have pin bushings or inserts).

Maintenance Kit Composition

Head Kit: All required gaskets, valve disks, and valve springs for QR products
 All required gaskets and valve plates for QTS/QT products
 Unloader components included where applicable

Overhaul Kit: Complete head kit, ring set, oil seals, and connecting rod insert bearings, if used.

Piston Pin Kit-press fit or float fit:

Piston pins and bushings, where applicable.



#K325A



#K325C

Maintenance Kits for QR-25

Kit Part Number	Description	Record of Change
KA4A	Head Kit All Models	RC015-109
KA4B	Overhaul Kit - SS Rings	
KA4C	Piston Pin - Press Fit	
KA4D	Piston Pin Float Fit	
KX2A	Head Kit - All Models	RC014-103
KX2B	Overhaul Kit - SS Rings	
KX2D	Piston Pin Press Fit	
KX2E	Piston Pin Float Fit	RC002-100
KX3A	Head Kit All Models	
KX3B	Overhaul Kit - SS Rings	
KX3C	Piston Pin - Press Fit	
KX3D	Piston Pin Float Fit	

Kit part numbers may be cross-referenced with basic or pump numbers: i.e. kit K325C is appropriate for a 325 basic.

Maintenance Kits for QR-25®

Kit Part Number	Description	Record of Change
KX8A	Head Kit All Models	RC015-102
KX8B	Overhaul Kit - SS Rings	
KX8D	Piston Pin - Press Fit	
KX8E	Piston Pin Float Fit	
K106A	Head Kit All Models	RC024-100
K106B	Overhaul Kit - SS Rings	
K106C	Piston Pin Press Fit	
K106D	Piston Pin Float Fit	
K108A	Head Kit All Models	RC027-100
K108B	Overhaul Kit - SS Rings	
K108D	Piston Pin - Press Fit	
K108E	Piston Pin Float Fit	
K206A	Head Kit All Models	RC010-100
K206B	Overhaul Kit - SS Rings	
K206D	Piston Pin - Press Fit	
K206E	Piston Pin Float Fit	
K210A	Head Kit All Models	RC010-102
K210B	Overhaul Kit - SS Rings	
K210D	Piston Pin - Press Fit	
K210E	Piston Pin - Float Fit	
K214A	Head Kit All Models	RC008-102
K214B	Overhaul Kit - SS Rings	
K214C	Piston Pin - Press Fit	
K214D	Piston Pin - Float Fit	
K216A	Head Kits All Models	RC041-103
K216B	Overhaul Kit SS Rings	
K216D	Piston Pin - Press Fit	
K216E	Piston Pin - Float Fit	
K230A	Head Kit All Models	RC032-100
K230B	Overhaul Kit - SS Rings	
K230C	Piston Pin - Press Fit	
K230D	Piston Pin - Float Fit	

Kit part numbers may be cross-referenced with basic or pump numbers: i.e. kit K325C is appropriate for a 325 basic.

Maintenance Kits for QR-25®

Kit Part Number	Description	Record of Change
K230VA	3V-8V Head Kit	RC3V-8V
K230VB	Overhaul Kit - SS Rings	RC031-100
K230VC	Piston Pin - Press Fit	
K230VD	Piston Pin Float Fit	
K230VE	Overhaul Kit Teflon Rings	RC3V-8V
K240A	Head Kit All Models	RC010-102
K240B	Overhaul Kit - SS Rings	
K240C	Piston Pin Press Fit	
K240D	Piston Pin Float Fit	
K240E	Head Kit All Models	
K240VA	3V-6V Head Kit	RC3V-6V
K240VB	Overhaul Kit - SS Rings	RC3V-6V
K240VC	Piston Pin - Press Fit	
K240VD	Piston Pin Float Fit	
K240VE	Overhaul Kit Teflon Rings	RC3V-6V
K255A	Head Kit All Models	RC007-014
K255B	Overhaul Kit - SS Rings	
K255C	Piston Pin - Press Fit	
K255D	Piston Pin Float Fit	
K270A	Head Kit All Models	RC100-101
K270B	Overhaul Kit - SS Rings	
K270C	Piston Pin - Press Fit	
K270D	Piston Pin - Float Fit	
K270VA	Head Kit All Models	RC1V-7V
K270VB	Overhaul Kit - SS Rings	
K270VC	Piston Pin - Press Fit	
K270VD	Piston Pin - Float Fit	
K310A	Head Kits All Models	RC025-104
K310B	Overhaul Kit SS Rings	
K310C	Piston Pin - Press Fit	
K310D	Piston Pin - Float Fit	
K325A	Head Kit All Models	RC015-104
K325C	Overhaul Kit - SS Rings	
K325D	Piston Pin - Press Fit	
K325E	Piston Pin - Float Fit	

Kit part numbers may be cross-referenced with basic or pump numbers: i.e. kit K325C is appropriate for a 325 basic.

Maintenance Kits for QR-25®

Kit Part Number	Description	Record of Change
K340A	Head Kit All Models	RC033-104
1) K340C	Piston Pin Kit	RC033-035
2) K340D	Piston Pin Kit	RC036-100
3) K340E	Piston Pin Kit	RC101-104
K340F	Overhaul Kit - SS Rings	RC033-104
K350A	Head Kit All Models	RC018-104
1) K350C	Piston Pin Press Fit	RC018-019
2) K350D	Piston Pin Float Fit	RC020-021
3) K350E	Piston Pin Float Fit	RC022-104
K350F	Overhaul Kit - SS Rings	RC018-104
K370A	Head Kit All Models	RC007-104
K370B	Overhaul Kit - SS Rings	RC007-104
1) K370C	Piston Pin - Press Fit	RC007-008
2) K370D	Piston Pin Float Fit	RC009-010
3) K370E	Piston Pin Float Fit	RC011-104
K390A	Head Kit All Models	RC021-105
1) K390C	Piston Pin - Press Fit	RC-20-21
2) K390D	Piston Pin Float Fit	RC100-103
K390E	Overhaul Kit - SS Rings	RC021-105
1) K390F	Piston Pin - Press Fit	RC104-105
K4125A	Head Kit All Models	RC004-012
K4125B	Overhaul Kit - SS Rings	
K4125C	Piston Pin - Press Fit	
K5105A	Head Kit All Models	RC009-017
K5105B	Overhaul Kit - SS Rings	
K5105D	Piston Pin - Press Fit	RC009-010
K5105E	Overhaul Kit SS Rings	RC011-013
K5120A	Head Kits All Models	RC007-102
K5120B	Overhaul Kit SS Rings	
1) K5120D	Piston Pin - Press Fit	
2) K5120E	Piston Pin - Float Fit	RC009-010
3) K5120F	Piston Pin - Float Fit	RC011-102
KW5120A	Head Kit All Models	RC005-012
KW5120B	Overhaul Kit - SS Rings	
1) KW5120D	Piston Pin - Press Fit	RC005-006
2) KW5120E	Piston Pin - Float Fit	RC007-008
3) KW5120F	Piston Pin - Float Fit	RC009-012

1) Pressed piston pin for high-pressure piston and float fit for low-pressure with sleeve bearing

2) Floating piston pin for high- and low-pressure sleeve bearings

3) Floating piston pin for high- and low-pressure with sleeve bearing for low pressure and needle bearing for high pressure

Kit part numbers may be cross-referenced with basic or pump numbers: i.e. kit K325C is appropriate for a 325 basic.

Maintenance Kits for QT® and QTS®

Kit Part Number	Description	Record of Change
KQTSA	Overhaul Kit	RC -2-3-4
KQTSB	Head Kit	
KQTSC	Overhaul Kit	RC -100
KQTSD	Head Kit	
KQT5A	Head Kit w/o Head Unloaders	RC-104
KQT5B	Overhaul Kit w/o Head Unloaders	
KQT5C	Head Kit with Head Unloaders	
KQT5D	Overhaul Kit with Head Unloaders	
KQT5E	Head Kit - Gas Driven Motor	
KQT5F	Overhaul Kit - Gas Driven Motor	
KQT7.5A	Overhaul Kit	RC-106
KQT7.5B	Head Kit	
KQT7.5C	Overhaul Kit w/o Head Unloaders	RC-107
KQT7.5D	Head Kit w/o Head Unloaders	
KQT7.5E	Overhaul Kit with Head Unloaders	
KQT7.5F	Head Kit with Head Unloaders	
KQT15A	Overhaul Kit w/o Head Unloaders	RC-100 -101
KQT15B	Head Kit w/o Head unloaders	
KQT15C	Overhaul Kit with Head Unloaders	
KQT15D	Head kit w/ Head Unloaders	
KQT25A	Head Kit	RC103
KQT25B	Overhaul Kit	

Kit part numbers may be cross-referenced with basic or pump numbers: i.e. kit KQT5A is appropriate for a QT-5 basic.

Engine Throttle Control Kits

- Reciprocating Compressors 175 psig Max.

Kit Part Number	Engine the Kit is Used On
112639	QTS-8 hp Honda QTS-8 hp Kohler
111083K001	10 hp Briggs 5 hp Briggs 5.5 hp Honda
111165	10-12-14 hp Kohler Magnum
112099	18 hp Kohler Magnum
112735	QTS-5 hp Briggs
112982K001	8 hp Honda
112981K001	8 hp Kohler
112985K001	5 hp Briggs IC
111558	11 hp Honda
6599X	Throttle Control Device Only
113696	11 & 13 hp Kohler
113697	18 hp Kohler



#111083K001



#111165



#112735



#112982K001



#112981K001



#112985K001



#111558

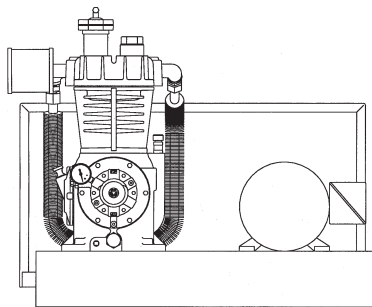
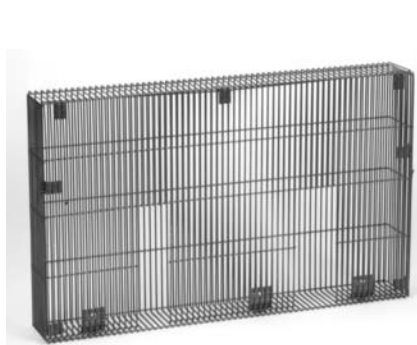


#6599X

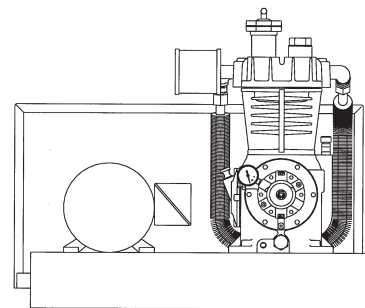
Belt Guard Dimensional Information

- Reciprocating Compressors

- Totally enclosed
- Built to OSHA standards
(Quincy Compressors not certified by OSHA)
- All assemblies include mounting brackets
- Fits portable, stationary, and climate control models
 - Available for tank mount and base mount



Tank



Base

Compressor Model	Guard Type	Cross Reference		Dimensions in Inches			
		Old Style Clam Shell Assembly Number (Not Available)	Belt Guard Assembly Number	Length	Width	Height	Center to Center
216	Std.	110339	110945K006	28.5"	4.5"	16"	14.25"
216	Rev.	110339	110945K007	28.5"	4.5"	16"	14.25"
310	Std.	110339-001	110945K002	28.5"	4.5"	16"	14.25"
310	Rev.	110339-001	110945K009	28.5"	4.5"	16"	14.25"
106 or 108	Std.	110338	110945K010	28.5"	4.5"	16"	14.25"
106 or 108	Rev.	110338	110945K011	28.5"	4.5"	16"	14.25"
R15 or R17	Std.	110338-001	110945K012	28.5"	4.5"	16"	14.25"
R15 or R17	Rev.	110338-001	110945K013	28.5"	4.5"	16"	14.25"
A4	Std.	110387	111023K004	26.5"	3"	14.25"	14.5"
A4	Rev.	110387	111023K005	26.5"	3"	14.25"	14.5"
206-210-214	Std.	110387-001	111023K001	26.5"	3"	14.25"	14.5"
206-210-214	Rev.	110387-001	111023K006	26.5"	3"	14.25"	14.5"
230-240	Std.	110452	113242K001	34.5"	5.5"	18.5"	17.25"
230-240	Rev.	110452	113242K002	34.5"	5.5"	18.5"	17.25"
325	Std.	110452-001	113242K001	34.5"	5.5"	18.5"	17.25"
325	Rev.	110452-001	113242K002	34.5"	5.5"	18.5"	17.25"
390	Std.	110585	113229K	47"	7.5"	24.75"	24.75"
390	Rev.	110585	113229K001	47"	7.5"	24.75"	24.75"
QDD	Std.	110585-001	113229K002	47"	7.5"	24.75"	24.75"

Belt Guard Dimensional Information

- Reciprocating Compressors

Compressor Model	Guard Type	Cross Reference		Dimensions in Inches			
		Old Style Clam Shell Assembly Number (Not Available)	Belt Guard Assembly Number	Length	Width	Height	Center to Center
255-270	Std.	110535	111967K001	39"	6"	22"	20"
255-270	Rev.	110535	111968K001	39"	5.5"	22"	20"
340	Std.	110535-001	111967K002	39"	6"	22"	20"
340	Rev.	110535-001	111968K002	39"	5.5"	22"	20"
350-370	Std.	110535-002	111967K003	39"	6"	22"	20"
350-370	Rev.	110535-002	111968K003	39"	5.5"	22"	20"
4125	Std.	110606	111978K001	54"	7.5"	28.25"	33"
4125VAC	Std.	110606	111978K001	54"	7.5"	28.25"	33"
5105 or 5125	Std.	110606-001	111978K002	54"	7.5"	28.25"	33"
W5120	Std.	110606-002	111978K003	54"	7.5"	28.25"	33"
4125 Engine	Std.	110606-003	111978K	54"	7.5"	28.25"	33"
5105,5120 Eng.	Std.	110606-004	111978K002	54"	7.5"	28.25"	33"
QT5	Std.	NA	110945K003	28.5"	4.5"	15.75"	13.25"
QT5	Rev.	NA	112550XK	28.5"	3.75"	16"	13.5"
Qt-7.5	Std.	NA	113242K003	31.25"	4.25"	19"	13.5"
QT-15	Std.	NA	112432K003	44"	6.5"	19"	13.5"
QT-25	Std.	NA	111978K002	49"	6.5"	26.25"	26.5"
*QRD 7.5/10	Std.	NA	111979K1	48"	8.25"	25.5"	24.25"
QRD 15	Std.	NA	111979K2	48"	8.25"	25.5"	24.25"

* Clamshell

Spring Isolator

- Rotary and Reciprocating Compressors

- Color coded springs for easy load identification
- Single and double spring designs
- For use with all tank mounted or base plate mounted compressors

Part Number	Isolator Constant (pounds/inch)	Max Rated Load (pounds)	Deflection Rated Load (inches)	Spring Color
Single Spring				
113809-003	133	170	1.28	Blue
113809-004	179	225	1.26	Yellow
113809-005	264	325	1.23	Brown
113809-006	368	450	1.22	Red
113809-007	513	600	1.17	Purple
113809-008	707	750	1.06	Orange
113809-009	881	900	1.02	Green
113809-010	1327	1100	0.83	Gray
113809-011	1758	1300	0.74	White

Double Spring				
113810-003	1414	1500	1.06	Orange



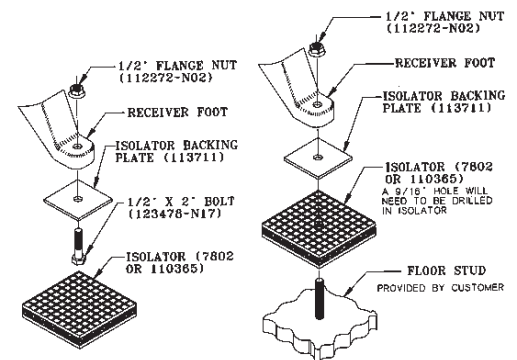
#113809-003

Pad Isolators

- Rotary and Reciprocating Compressors

Part Number	Quantity In Set	Pad Size	Max. Rated Load per Pad	Used on Models
7802-1 SET	4	4" x 4" x 1"	800 lbs.	60 & 80 gallon receiver
7802 SET	6	4" x 4" x 1"	800 lbs.	Base mounted units larger than 340
7803-1 SET	4	6" x 4" x 1"	1200 lbs.	Gallon receiver
110365 SET	4	3" x 3" x 1"	540 lbs.	Up to 30 gallon receiver base mounted units up to 325
113711	Isolator Backing Plate		Used with all isolating pads	

- All pads are cork filled with ribbed rubber on either side



INSTALLATION OF ISOLATOR PLATE WHEN RECEIVER IS FREE FROM THE FLOOR.

INSTALLATION OF ISOLATOR PLATE WHEN BOLTING RECEIVER TO THE FLOOR.

#110365



#7802

Receivers for QR®, QT®, and QTS® Units

- Reciprocating Compressors

- ASME coded receivers
- National Board approved
- With and without welded top plate
- Top plates sold separately as noted below



Reference Tank 1



Reference Tank 2



Reference Tank 4

Simplex Tanks

Tank Part Number	Top Plate Part Number	Compressor Model	Capacity Gallons	Working Pressure	Tank Reference Figure
112697N150		QTS-3	8 Vertical	150	5
112904-150		QTS-3	8 Vertical	150	5
112649C150		QTS-3	20 Horizontal	150	1
113264-165	Welded	210 QTS-3	30 Horizontal	165	1
113265-165	Welded	210 QTS-3	30 Vertical	165	2
112676-150	Welded	QTS-3	30 Vertical	150	2
113266-200	Welded	210 310 240V 325 QTS-3 QT-5 QT-7.5	60 Horizontal	200	3
113891-200	Welded	210 310 240V 325 QTS-3 QT-5 QT-7.5	60 Horizontal	200	3
113267-200	Welded	310 325 QT-5 QT-7.5	60 Vertical	200	5
112673-150	Welded	QTS-3	60 Vertical	150	5
114948-200	Welded	QRDS-2,3	60 Vertical	200	5
114965-200	Welded	QTS-5	60 Vertical	200	5
113268-200	Welded	310 325 QT-5 QT-7.5 QT-10	80 Horizontal	200	3
113269-200	113276	340 350 370 270 QT-15	80 Horizontal	200	3
	113277	QRDS-5,7.5	80 Horizontal	200	3
113270-200	Welded	310 325 QT-5 QT-7.5	80 Vertical	200	5
114949-200	Welded	QRDS-2,3	80 Vertical	200	5
113271-200	113281	310 325 QT-5 QT-7.5 QT-10	120 Horizontal	200	3
	113280	340 350 370	120 Horizontal	200	3
	113279	QT-25 5120	120 Horizontal	200	3
	113278-001	390	120 Horizontal	200	3
113272-200	Welded	QT-15	120 Horizontal	200	4
113472-200	113282-001	QRD	120 Horizontal	200	3
	113979	QRD	120 Horizontal	200	3
114119-200	Welded	QT-7.5	120 Vertical	200	5
114859-200	Welded	QT-10	120 Vertical	200	5
113273-200	113282-001	390 QT-15	200 Horizontal	200	3
	113283	QT-25 5120	200 Horizontal	200	3

* For 254 and 256 frame motors

**Reference #6, Top Plate

Receivers for QR®, QT®, and QTS® Units

- Reciprocating Compressors

- ASME coded receivers
- National Board approved
- With and without welded top plate
- Top plates sold separately as noted below



Reference Tank 3



Reference 6- Top Plate



Reference Tank 5

Duplex Tanks

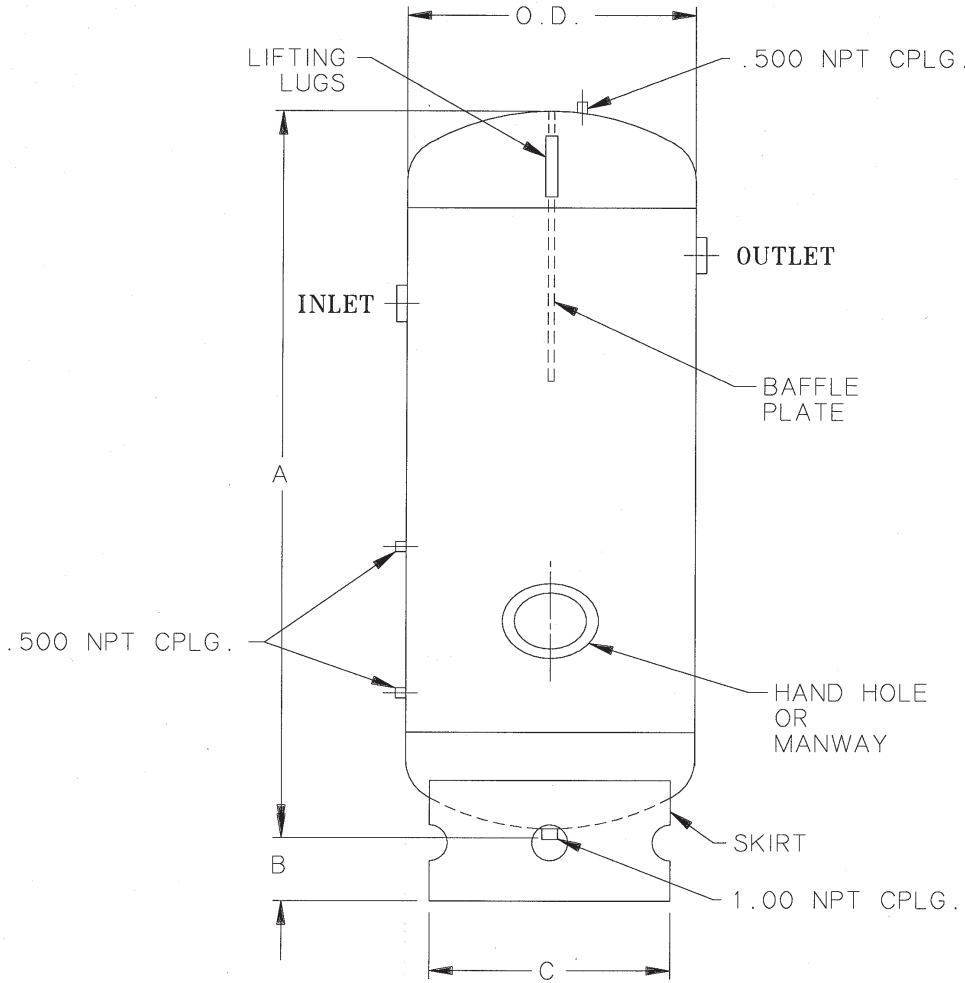
Tank Part Number	Top Plate Part Number	Compressor Model	Capacity Gallons	Working Pressure	Tank Reference Figure
113464-165	Welded	210 QTS-3	30 Horizontal	165	6
113465-165	Welded	210 QTS-3	60 Horizontal	165	6
114009-200	Welded	210 QTS-3	60 Horizontal	200	6
112466-200	Welded		80 Horizontal	200	6
	113274	310 325 QT-5 QT-7.5	80 Horizontal	200	6
	113275	210 QTS-3	80 Horizontal	200	6
113471-200	Welded		80 Horizontal	200	6
	113274	310 325 QT-5 QT-7.5	80 Horizontal	200	6
	113275	210 QTS-3	80 Horizontal	200	6
113467-200	113281	310 325 QT-5 QT-7.5	120 Horizontal	200	6
	113280	340 350 370	120 Horizontal	200	6
113472-200	113281-001	QRD	120 Horizontal	200	6
113469-200	113281	310 325 QT-5 QT-7.5	200 Horizontal	200	6
	113280	340 350 370	200 Horizontal	200	6
113468-200	113282-001	390	200 Horizontal	200	6
	113283	QT-25 5120	200 Horizontal	200	6
112362-200	Welded	QT-15	200 Horizontal	200	6
113470-200	113282-001	QT-15 390 QRD	240 Horizontal	200	6
	113283	QT-25 5120	240 Horizontal	200	6
	113281	QT-10	240 Horizontal	200	6
	113979	QRD	240 Horizontal	200	6
112400-200	Welded	QT-15	240 Horizontal	200	6
111755-165	113283	QT-25CC	400 Horizontal	165	6

Gas Tanks

Tank Part Number	Top Plate Part Number	Compressor Model	Capacity Gallons	Working Pressure	Tank Reference Figure
112671C150		QTS	20	150	6
113727-200	Welded	QT-5 QT-7.5 325	30 Horizontal	200	6
113716-200	114392	QT-5 325	60 Horizontal	200	6
	113717	QT-15 350	60 Horizontal	200	6

Vacuum Receivers - Vertical

- ASME coded receivers for use in vacuum liquid separation. Rated for full vacuum.
- Leak tight to below 29.88" HgV (1 torr).
- Tank includes ports for gauges, ports for liquid sensors, and clean out entry way.
- Internal baffle ensures changes in flow direction.



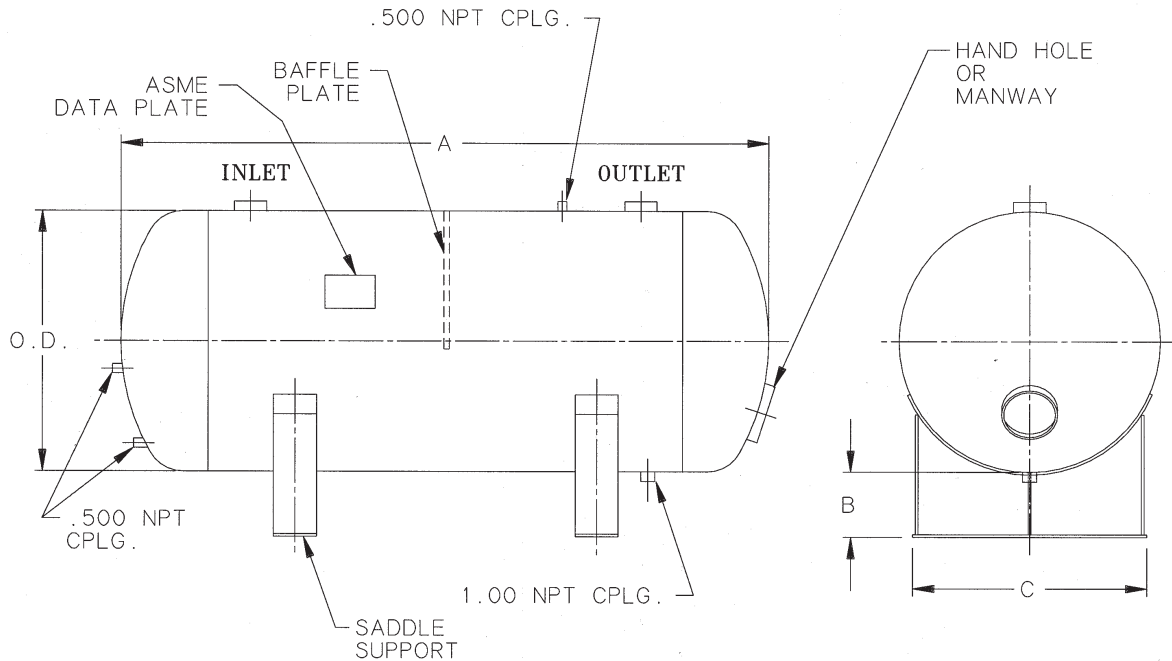
#140293

Part Number	Capacity: Gallons	Dimensions in Inches				Inlet/Outlet Connections
		O.D.	A	B	C	
140293-1	30	14	50	6	12	3 - 3000 lb. Half Coupling
140293-2	60	16	70	6	14	3 - 3000 lb. Half Coupling
140293-3	120	24	60	6	20	3 - 3000 lb. Half Coupling
140293-4	200	30	77	6	24	6 - 150 lb. Flanged
140293-5	250	30	89	6	24	6 - 150 lb. Flanged
140293-6	400	36	96	6	30	8 - 150 lb. Flanged

Available in galvanized steel

Vacuum Receivers - Horizontal

- ASME coded receivers for use in vacuum liquid separation. Rated for full vacuum.
- Leak tight to below 29.88" HgV (1 torr).
- Tank includes ports for gauges, ports for liquid sensors, and clean out entry way.
- Internal baffle ensures changes in flow direction.



#140294

Part Number	Capacity: Gallons	Dimensions in Inches				Inlet/Outlet Connections
		O.D.	A	B	C	
140294-1	30	14	50	6	12	3 - 3000 lb. Half Coupling
140294-2	60	16	70	6	14	3 - 3000 lb. Half Coupling
140294-3	120	24	60	6	20	3 - 3000 lb. Half Coupling
140294-4	200	30	77	6	24	6 - 150 lb. Flanged
140294-5	250	30	89	6	24	6 - 150 lb. Flanged
140294-6	400	36	96	6	30	8 - 150 lb. Flanged

Available in galvanized steel



5 Gallons

Rotary Screw Synthetic Lubricants/Fluids

QuinSyn®, QuinSyn-F® (Food Grade), QuinSyn-IV®, QuinSyn-XP®, QuinSyn-PG®, QuinSyn- Plus®™, and QuinSyn-Flush®.

Quincy synthetic lubricants are specially formulated for Quincy Rotary Screw Compressors. We offer a wide range of lubricants/fluids for varying conditions with the following standard features:

- Outstanding wear protection reduces friction and extends bearing and rotor life.
- Greater oxidative stability than mineral oil-based products
- Multiservice capability-QuinSyn® remains pumpable at low temperatures while maintaining sufficient viscosity at higher temperatures.
- Excellent demulsibility in high humidity applications
- Compatible with mineral oil systems
- Non-toxic - Not hazardous by OSHA standards

Part Number	Size of Container	Special Features
QuinSyn®		
127462-005	5 Gallons	Our most popular and versatile lubricant/fluid Pale blue in color Rated at 6000 to 8000 hour under normal use
127462-055	55 Gallon Drum	
QuinSyn-F® (Food Grade)		
110756-005	5 Gallons	Off White in Color For Special Food Applications
110756-055	55 Gallon Drum	
QuinSyn-IV®		
141140-005	5 Gallons	For Light-Duty Applications Economical where lubricant/fluid must be changed often
141140-055	55 Gallon Drum	
QuinSyn-XP®		
142784-005	5 Gallons	For High-Pressure Applications For 10-year Warranties Formulated for the Toughest Environment
142784-055	55 Gallon Drum	
QuinSyn-PG®		
143808-005	5 Gallons	For applications where condensate disposal is a concern
143808-055	55 Gallon Drum	
QuinSyn-Plus®™		
144046-005	5 Gallons	For applications where long life and demulsibil- ity of the oil is important
144046-055	55 Gallon Drum	

- Lubricants other than Quin-Syn® may not be compatible with components used in rotary screw compressors.
- If necessary to convert unit to a synthetic other than QuinSyn®, contact authorized Quincy Compressor distributor.
- It is not recommended to mix compressor fluids due to incompatibility issues

Part Number	Size of Container
QuinSyn Flush®	
128542-005	5 Gallons
128542-055	55 Gallon Drum

Lubricant/Fluid Analysis Kit - Part Number 128515

- Used to provide early detection of excessive parts wear, lubricant/fluid breakdown, or contaminants in lubricant/fluid system
- Can be ordered through an authorized Quincy Compressor distributor

Quin-Cip® Lubricant/Fluids For Reciprocating Compressors

Quincy lubricants are specially formulated for Quincy Reciprocating Compressors.

We offer a wide range of lubricants/fluids for varying conditions with the following standard features:

- Excellent demulsibility in high humidity applications
- Non-toxic - Not considered hazardous by OSHA standards
- Non-detergent lubricant
- Provides protection against heat for a longer compressor life



1 Quart



1 Gallon

Part Number	SAE Grade	Description	Pour Point	Flash Point COC	Viscosity cSt at 40° C	Ambient Temperature
112541Q032	10	ISO-32 (1Qt)	-15°F	400°F	31.2°C	0 to 32°F
112541G032		ISO-32 (1 Gal.)				
112541P032		ISO-32 (5 Gal.)				
112541D032		ISO-32 (55 Drum)				
112542Q068	20	ISO-68 (1 Qt)	0°F	460°F	69.2°C	32 to 80°F
112542G068		ISO-68 (1 Gal.)				
112542P068		ISO-68 (5 Gal.)				
112542D068		ISO-68 (55 Drum)				
112543Q100	30	ISO-100 (1 Qt)	0°F	480°F	101.4°C	80°F and Above
112543G100		ISO-100 (1 Gal.)				
112543P100		ISO-100 (5 Gal.)				
112543D100		ISO-100 (55 Drum)				

-Other quantities are available from Quincy Parts and Accessories

Synthetic Lubricants/Fluids - Reciprocating Compressors

- Recommended by Quincy Compressor for applications requiring synthetic fluid
- Specifically formulated for use in reciprocating compressors
- Can be used for break in
- Can be used as a flushing agent
- If compressor is drained and flushed, QuinSyn® R can replace existing lubricant/fluids
- Meets the FDA rating 21 CFR 178.3570 for incidental food contact

QuinSyn® R	Part Number	Size
	111479-201	1 Quart
	111479-203	5 Gallons
	111479-204	55 Gallon Drum

Crankcase Heater - Reciprocating Compressors

- Fits QR reciprocating 240 and larger
- Fits QT-7.5 and QT-25
- Includes built-in thermostat

Part Number	Watt	Voltage	Size
110891	75	115 with plug	1/4" NPT
110891-001	75	230 with plug	1/4" NPT
110891-002	75	230 without plug	1/4" NPT
110891-003	40	115 without plug	1/4" NPT



#110891

- Do not operate the compressor at temperatures under -15° F.
- Crankcase heater recommended for compressors operating at temperatures below 32°F.

Lubrication/Fluid and Capacities Rotary Screw Compressors

Compressor Model Number	Record of Change	Approximate Capacity
QMA 50,QMA 50 H, QMA 60	J	13 Gallons
QMA 75, QA 100 QA 125, QA150	G,C	22 Gallons
QMA 100, QMA 125, QMA 150	E	36 Gallons
QA 200, QA 300	A	39 Gallons
QMB/T 10, QMB/T 15	F	2.5 Gallons
QMB/T 20, QMB/T 25	F	2.75 Gallons
QMB/T 30	F	3.00 Gallons
QSB/T 15A, QSB/T 20A, QSB/T 30A	P&Q	3.25 Gallons
QSB/T 15W, QSB/T 20W,QSB/T 25A&W, QSB/T 50A		3.75 Gallons
QSB/T 40W	P&Q	4.00 Gallons
QSB/T 30W	P&Q	4.25 Gallons
QSB/T 50W	P&Q	4.50 Gallons
QSB/T 40A	P&Q	5.00 Gallons
QSI 235 A, QSI235 W	F	5.50 Gallons
QSI 250, QSI 300	7/15/97	8.00 Gallons
QSI 220, QSI 245	7/15/97	11.00 Gallons
QSI 540, QSI 600	7/15/97	13.00 Gallons
QSI 335, QSI 370	7/15/97	15.00 Gallons
QSI 350 A, QSI 350 W	F & E	17.50 Gallons
QSI 440, QSI 500	7/15/97	23.50 Gallons
QSI 490W, QSI 740A	D,& B	24.50 Gallons
QSI 490 A	E	26.00 Gallons
QSI 740 W	A	37.00 Gallons
QSI 675, QSI 750	7/15/97	40.00 Gallons
QSI 925, QSI 1000A, QSI 1000 W	7/15/97	46.00 Gallons
QSI1175, QSI1250 A, QSI 1250 W, QSI1400, QSI 1500 A ,QSI 1500 W	7/15/97	55.00 Gallons
QSLP 10, QSLP 15, QSLP 20		4.70 Gallons
QSLP 60	F	10.5 Gallons
QSLP 100		12.00 Gallons
QSLP 50	G/E	34.00 Gallons
QSLP 30, QSLP 150		38.00 Gallons
QSLP 200		78.00 Gallons
QSVB 7.5W, QSVB 10W, QSVB 15W	F	4.00 Gallons
QSVB 7.5A, QSVB 10A, QSVB 15A	F	5.70 Gallons
QSVB 20W, QSVB 25W	F	6.20 Gallons
QSVB 20A, QSVB 25A	F	9.50 Gallons
QSVI 20 A & W, QSVI 40 A & W	E	20.00 Gallons
QSVI 50 A	B	24.00 Gallons
QSVI 75 A	A	38.00 Gallons
QSVI 100 A & W	C	42.00 Gallons
QSVI 200 A	B	78.00 Gallons
QXB/T 7.5, QXB/T 10, QXB/T 15, QXB/T 20	D	1.50 Gallons
QSF 50 A, QSF 60 A	B	6.50 Gallons
QSF 50 W, QSF 60 W	B	7.50 Gallons
QSF 75 A & W, QSF 100 A & W	A	10.50 Gallons
QSF 125 A & W, QSF 150 A & W	A	16.50 Gallons
QSD 50, QSD 75, QSD 100	A	5.00 Gallons

Recip. Compressors

Compressor or Vacuum Pump Model Number	Approximate Capacity		
	Quarts	Ounces	Liters
X2,X3		4	0.118
X8		10	0.296
206,210,214		20	0.591
A4,106,108, R-15, R17		24	0.710
216,310	1*	16	1.42
230,240,325*	1*	16	1.42
255, 270, 340, 350, 370	4*	24	4.5
390	9*	16	9
4125	9*	24	9.22
5105, 5120	9*	24	9.22
W5120	9*	24	9.22
QT 5, PLT 5	1	10	1.5
QT 7.5, PLT 7.5	1	10	1.5
QT 10	1	14	1.8
QT 15	4	24	4.5
QT 25	9		8.51
QTS		12	0.354

* Models equipped with oil filter add 10 ounces of oil to capacity

Demand-A-Matic® Control Panels

- Rotary Screw Compressors

- Sequence controller responds to system demand by automatically starting or stopping unit.
- Either manual rotation or automatic timed rotation of lead machine.
- NEMA 1, NEMA 4, or NEMA 12 enclosures.
- Important: The control panels of the compressor units must be wired for "Auto Demand."



Part Number	NEMA Enclosure	Number of Units Controlled
Manual Rotation		
141114M1*2	1	2
141114M1*3	1	3
141114M1*4	1	4
141114M1*5	1	5
141114M4*2	4	2
141114M4*3	4	3
141114M4*4	4	4
141114M4*5	4	5
141114M2*2	12	2
141114M2*3	12	3
141114M2*4	12	4
141114M2*5	12	5

Part Number	NEMA Enclosure	Number of Units Controlled
Automatic Rotation		
141114T1*2	1	2
141114T1*3	1	3
141114T1*4	1	4
141114T1*5	1	5
141114T4*2	4	2
141114T4*3	4	3
141114T4*4	4	4
141114T4*5	4	5
141114T2*2	12	2
141114T2*3	12	3
141114T2*4	12	4
141114T2*5	12	5

*Insert "S" if full load pressure of machines is less than or equal to 125 psig.

*Insert "H" if full load pressure of machines is greater than or equal to 125 psig.

- Not a stock item allow for appropriate delivery time

Demand-A-Matic® Control Panels

- Rotary Screw Vacuum Pumps

- Sequence controller responds to system demand by automatically starting or stopping unit.
- Either manual rotation or automatic timed rotation of lead machine.
- NEMA 1, NEMA 4, or NEMA 12 enclosures.
- Important: The control panels of the compressor units must be wired for "Auto/Demand."



Part Number	NEMA Enclosure	Number of Units Controlled
Manual Rotation		
141114M1V2	1	2
141114M1V3	1	3
141114M1V4	1	4
141114M4V2	4	2
141114M4V3	4	3
141114MV4	4	4
141114M2V2	12	2
141114M2V3	12	3
141114M2V4	12	4

Part Number	NEMA Enclosure	Number of Units Controlled
Automatic Rotation		
141114T1V2	1	2
141114T1V3	1	3
141114T1V4	1	4
141114T4V2	4	2
141114T4V3	4	3
141114T4V4	4	4
141114T2V2	12	2
141114T2V3	12	3
141114T2V4	12	4

Demand-A-Matic® Control Panels

- Reciprocating Compressors

- Sequence controller responds to system demand by automatically starting or stopping unit.
- Either manual rotation or automatic timed rotation of lead machine.
- NEMA 1, NEMA 4, or NEMA 12 enclosures.
- Important: The control panels of the compressor units must be wired for "Auto/Demand."



ELECTRICAL

Part Number	NEMA Enclosure	Number of Units Controlled
Manual Rotation		
123186-01	1	2
123186-02	1	3
123186-03	1	4
123186-04	4	2
123186-05	4	3
123186-06	4	4
123186-07	12	2
123186-08	12	3
123186-09	12	4

Part Number	NEMA Enclosure	Number of Units Controlled
Automatic Rotation		
123186-01L	1	2
123186-02L	1	3
123186-03L	1	4
123186-04L	4	2
123186-05L	4	3
123186-06L	4	4
123186-07L	12	2
123186-08L	12	3
123186-09L	12	4

High Air Temperature Shut Down Switches

- For rotary and reciprocating products
- Minimum voltage and current ratings
 - 125 VAC at 1 amp
 - 24 VDC at 3 amp
 - 12 VDC at 5 amp

Part Number	Temperature Setting When Switch Opens (Min-max In Fahrenheit)	Probe Length (inches)	Max Operating Pressure psig
122880-122	125 1/4° - 135 1/4°F	1.81	600
122880-151	150 1/4° - 160 1/4°F	1.00	600
122880-192	190 1/4° - 200 1/4°F	1.81	600
122880-211	210 1/4° - 220 1/4°F	1.00	1500
122880-222	225 1/4° - 237 1/4°F	1.81	600
122880-223	225 1/4° - 237 1/4°F	3.00	600
122880-232	230 1/4° - 242 1/4°F	1.81	1500
122880-233	230 1/4° - 242 1/4°F	3.00	1500
122880-252	250 1/4° - 262 1/4°F	1.81	600
122880-330	330 1/4° - 350 1/4°F	1.135	1500
122880-372	375 1/4° - 400 1/4°F	1.81	600
122880-402	400 1/4° - 425 1/4°F	1.81	600
122880-422	425 1/4° - 450 1/4°F	1.81	600
122880-472	475 1/4° - 500 1/4°F	1.81	600
122880-525	495 1/4° - 545 1/4°F	1.135	600
122880S222	225 1/4° - 237 1/4°F	1.81	600



#122880-222



#122880-223

Replacement High Temperature Shut Down Switch And Probe - Rotary Compressors

Part Number	Type	Connection Size	Shutdown Temperature	Notes
123389-01	Module	Harness Plug-In	225°F	Solid State Switch
121857-01	Probe	1/2" NPT	225°F	Use with 123389-01 Switch



#123389-01

High Air Temperature Kits

- Reciprocating Compressors
 - Fits most QR-100, QDD, QRD, and QR-25 units.
 - Probe has 1/2" NPT on either side.
 - Switch is UL approved and CSA certified.

Kit Part Number	Temperature Range (Fahrenheit)	Part Number for Probe	Probe Length (inches)	Maximum Operating Pressure (psig)
90522-190	190°-200°F	122880-192	1 3/4" NPT	600
90522-375	375°-400°F	122880-372	1 3/4" NPT	600
90522-400	400°-425°F	122880-402	1 3/4" NPT	600
90522-425	425°-450°F	122880-422	1 3/4" NPT	600
90522-475	475°-500°F	122880-472	1 3/4" NPT	600
90522-525	495°-550°F	122880-520	1 3/4" NPT	600



#90522-190

* Enclosures are rated for NEMA 1. NEMA 4 enclosures are available upon request.

Electric Motors - General Ordering Information

- Rotary and Reciprocating Compressors

- When placing an order, the following information is required:
 voltage phase horsepower
 type (ODP-TEFC) service factor frame size
- A written copy of the above specifications, signed by the customer, must accompany all telephone and fax orders.
- No exchanges on motors after a voltage has been applied
- Other motors available upon request.
- If you cannot find the motor you require, contact Quincy Parts and Accessories.



Electric Motors for QSI Rotary Screw Compressors

Part Number	HP	Voltage	Type	Phase	Frame Size	Service Factor	RPM	Special Notes
129712Q007	50	230/460	ODP	3	326TSC	1.15	1800	Std Efficiency
129712Q042	50	230/460	ODP	3	326TSC	1.15	1800	Prem Efficiency
129712Q010	50	230/460	TEFC	3	326TSC	1.15	1800	Std Efficiency
129712Q047	50	230/460	TEFC	3	326TSC	1.15	1800	Prem Efficiency
129712R007	60	230/460	ODP	3	364TSC	1.15	1800	Std Efficiency
129712R042	60	230/460	ODP	3	364TSC	1.15	1800	Prem Efficiency
129712R010	60	230/460	TEFC	3	364TSC	1.15	1800	Std Efficiency
129712R047	60	230/460	TEFC	3	364TSC	1.15	1800	Prem Efficiency
129712S007	75	230/460	ODP	3	365TSC	1.15	1800	Std Efficiency
129712S042	75	230/460	ODP	3	365TSC	1.15	1800	Prem Efficiency
129712S010	75	230/460	TEFC	3	365TSC	1.15	1800	Std Efficiency
129712S047	75	230/460	TEFC	3	365TSC	1.15	1800	Prem Efficiency
129712T007	100	230/460	ODP	3	404TSC	1.15	1800	Std Efficiency
129712T042	100	230/460	ODP	3	404TSC	1.15	1800	Prem Efficiency
129712T010	100	230/460	TEFC	3	405TSC	1.15	1800	Std Efficiency
129712T047	100	230/460	TEFC	3	405TSC	1.15	1800	Prem Efficiency
129712U017	125	460	ODP	3	405TSC	1.15	1800	Std Efficiency
129712U051	125	460	ODP	3	405TSC	1.15	1800	Prem Efficiency
129712U023	125	460	TEFC	3	444TSC	1.15	1800	Std Efficiency
129712U055	125	460	TEFC	3	444TSC	1.15	1800	Prem Efficiency
129712V017	150	460	ODP	3	444TSC	1.15	1800	Std Efficiency
129712V052	150	460	ODP	3	444TSC	1.15	1800	Prem Efficiency
129712V023	150	460	TEFC	3	445TSC	1.15	1800	Std Efficiency
129712V056	150	460	TEFC	3	445TSC	1.15	1800	Prem Efficiency

Electric Motors

- Rotary Screw Compressors

- Read general ordering information (page 61) prior to ordering.

Part Number	HP	Voltage	Type	Phase	Frame Size	Service Factor	RPM	Special Notes
129712W017	200	460	ODP	3	445TSC	1.15	1800	Std Efficiency
129712W050	200	460	ODP	3	445TSC	1.15	1800	Prem Efficiency
129712W023	200	460	TEFC	3	445TSC	1.15	1800	Std Efficiency
129712W052	200	460	TEFC	3	445TSC	1.15	1800	Prem Efficiency
129466X008	250	460	ODP	3	445T	1.15	1800	Std Efficiency
129466X043	250	460	ODP	3	445T	1.15	1800	Prem Efficiency
129466X010	250	460	TEFC	3	445T	1.15	1800	Std Efficiency
129446X047	250	460	TEFC	3	445T	1.15	1800	Prem Efficiency
129466Y017	300	460	ODP	3	447T	1.15	1800	Std Efficiency
129466Y055	300	460	ODP	3	447T	1.15	1800	Prem Efficiency
129466Y019	300	460	TEFC	3	449T	1.15	1800	Std Efficiency
129466Y059	300	460	TEFC	3	449T	1.15	1800	Prem Efficiency
QST and QSB K-Model Only								
127358-N33	25	230/460	ODP	3	256T	1.15	1750	K Model Only
127358-O33	30	230/460	ODP	3	256T	1.15	1750	K Model Only
127358-P33	40	230/460	ODP	3	256T	1.15	1750	K Model Only

Electric Motors

- Rotary Screw Compressors Cooling Fan Motors

- Read general ordering information (page 61) prior to ordering

Part Number	HP	Voltage	Type	Phase	Frame Size	Service Factor	RPM	Special Notes
4010	2	230/460	ODP	3	145T	1.15	1800	Std Efficiency
127466G043	2	230/460	ODP	3	145T	1.15	1800	Prem Efficiency
123885	2	230/460	TEFC	3	145T	1.15	1800	Std Efficiency
127466G048	2	230/460	TEFC	3	145T	1.15	1800	Prem Efficiency
4011	3	230/460	ODP	3	182T	1.15	1800	Std Efficiency
127466H034	3	230/460	ODP	3	182T	1.15	1800	Prem Efficiency
123886	3	230/460	TEFC	3	182T	1.15	1800	Std Efficiency
127466H039	3	230/460	TEFC	3	182T	1.15	1800	Prem Efficiency
4012	5	230/460	ODP	3	184T	1.15	1800	Std Efficiency
127466I062	5	230/460	ODP	3	184T	1.15	1800	Prem Efficiency
123887	5	230/460	TEFC	3	184T	1.15	1800	Std Efficiency
127466I068	5	230/460	TEFC	3	184T	1.15	1800	Prem Efficiency
126839-K33	10	460	ODP	3	256T	1.15	1200	Std Efficiency
127466K083	10	460	ODP	3	256T	1.15	1200	Prem Efficiency
126840-K33	10	460	TEFC	3	256T	1.15	1200	Std Efficiency
127466K087	10	460	TEFC	3	256T	1.15	1200	Prem Efficiency

Electric Motors

- Reciprocating Compressors

• Read general ordering information (page 61) prior to ordering.

Part Number	HP	Voltage	Type	Phase	Frame Size	Service Factor	RPM	Special Notes
127466B003	1/3	115/230	TEFC	1	56	1.25	1750	
4005-200	1/3	200	ODP	3	56	1.35	1750	
123881-200	1/3	200	TEFC	3	48	1.35	1750	
4005	1/3	230/160	ODP	3	56	1.35	1750	
3998	1/2	115/230	ODP	1	56	1.25	1750	
127466C006	1/2	115/230	TEFC	1	56	1.25	1750	
4006-200	1/2	200	ODP	3	56	1.25	1750	
123882-200	1/2	200	TEFC	3	56	1.25	1750	
4006	1/2	230/460	ODP	3	56	1.25	1750	
123882	1/2	230/460	TEFC	3	56	1.25	1750	
3999	3/4	115/230	ODP	1	56	1.25	1750	
127466D001	3/4	115/230	TEFC	1	56	1.25	1750	
4007-200	3/4	200	ODP	3	56	1.25	1750	
123883-200	3/4	200	TEFC	3	56	1.25	1750	
4007	3/4	230/460	ODP	3	56	1.25	1750	
123883	3/4	230/460	TEFC	3	56	1.25	1750	
4000	1	115/230	ODP	1	143T	1.15	1750	
124515-042	1	115/230	TEFC	1	143T	1.15	1750	
8095	1	200	ODP	3	143T	1.15	1750	
124515-005	1	200	TEFC	3	143T	1.15	1750	
124517-003	1	230/460	ODP	3	143T	1.15	1750	
124515-006	1	230/460	TEFC	3	143T	1.15	1750	Don't use on 208 V
4001	1.5	115/230	ODP	1	145T	1.15	1750	
127466H003	3	115/230	TEFC	1	184T	1.15	1750	
8096	1.5	200	ODP	3	145T	1.15	1750	
123884-200	1.5	200	TEFC	3	145T	1.15	1750	
124517-042	1.5	230/460	ODP	3	145T	1.15	1750	Don't use on 208 V
123884	1.5	230/460	TEFC	3	145T	1.15	1750	
4002	2	115/230	ODP	1	182T	1.15	1750	
127466H007	3	230/460	TEFC	3	182T	1.15	1750	
8097	2	200	ODP	3	145T	1.15	1750	
123885-200	2	200	TEFC	3	145T	1.15	1750	
124517-002	2	230/460	ODP	3	145T	1.15	1750	
123885	2	230/460	TEFC	3	145T	1.15	1750	
4003	3	115/230	ODP	1	184T	1.15	1750	
127466H003	3	115/230	TEFC	1	184T	1.15	1750	
8098	3	200	ODP	3	182T	1.15	1750	
123887-200	3	200	TEFC	3	182T	1.15	1750	
124517-006	3	230/460	ODP	3	182T	1.15	1750	
123886	3	230/460	TEFC	3	182T	1.15	1750	
127466I005	5	230	ODP	1	184T	1.15	1750	
127466I006	5	230	TEFC	1	215T	1	1750	

Electric Motors

- Reciprocating Compressors

- Read general ordering information (page 61) prior to ordering.

ELECTRICAL

Part Number	HP	Voltage	Type	Phase	Frame Size	Service Factor	RPM	Special Notes
8099	5	200	ODP	3	184T	1.15	1750	
123887-200	5	200	TEFC	3	184T	1.15	1750	
124517-005	5	230/460	ODP	3	184T	1.15	1750	Don't use on 208V
123887	5	230/460	TEFC	3	184T	1.15	1750	
127466J018	7 1/2	230	ODP	1	215T	1.15	1750	
8393	7 1/2	200	ODP	3	213T	1.15	1750	
123888-200	7 1/2	200	TEFC	3	213T	1.15	1750	Don't use on 208 V
124517-009	7 1/2	230/460	ODP	3	213T	1.15	1750	
123888	7 1/2	230/460	TEFC	3	213T	1.15	1750	
40656	10	200	ODP	3	215T	1.15	1750	
123889-200	10	200	TEFC	3	215T	1.15	1750	
4014	10	230/460	ODP	3	215T	1.15	1750	
123889	10	230/460	TEFC	3	215T	1.15	1750	
40657	15	200	ODP	3	254T	1.15	1750	
4015	15	230/460	ODP	3	254T	1.15	1750	
122582	15	230/460	TEFC	3	254T	1.15	1750	
40658	20	200	ODP	3	256T	1.15	1750	
122465	20	208	TEFC	3	256T	1.15	1750	
5177	20	230/460	ODP	3	256T	1.15	1750	
40659	25	200	ODP	3	284T	1.15	1750	
123890-200	25	200	TEFC	3	284T	1.15	1750	
7360	25	230/460	ODP	3	284T	1.15	1750	
123890	25	230/460	TEFC	3	284T	1.15	1750	
121287	30	200	ODP	3	286T	1.15	1750	
123830-200	30	200	TEFC	3	286T	1.15	1750	
7597	30	230/460	ODP	3	286T	1.15	1750	
123830	30	230/460	TEFC	3	286T	1.15	1750	
QTS Single Stage Motor								
112656-003	3	115/230	ODP	1	56	1	3600	Special
112656-005	5	115/230	ODP	1	56	1	3600	Special

Electric Motor Slide Rails

- Reciprocating Compressors

- For electric applications
- Cast iron

Rail Part Number	Reference	Quantity	Motor Frames That Rails Fit
2486XPR	1	2	254, 256, 284, 286
3340PR	2	2	143,145
7670PR	2	2	182,184, 213, 215
1671PR	2	2	182,184, 213, 215

- Each rail part number represents a pair of rails. See quantity.

Ref. 1



#2486XPR

Ref. 2



#3340PR

Duplex Automatic Alternating Panel (Controller) Single Point Power Connection

- Prewired or packaged in a standard Nema 1 or Nema 4 enclosure
- Panels require only single point power supply connection, motor lead connection, and pressure switch connection.
- For use with 2 compressors where one compressor is the primary source of air and a secondary compressor operates only during periods of high air demand.

Features

- Automatic alternation
- 120 volt, control power transformer
- UL listed
- IEC starter



NEMA 1-Duplex Controller-Reciprocating Compressors

Motor hp	Single-Phase Part Number		Three-Phase Part Number			
	115V	230V	200V	230V	460V	575V
1	NC01011511	NC01020011	NC01020031	NC01023031	NC01046031	NC01057531
1 1/2	NC01511511	NC01520011	NC01520031	NC01523031	NC01546031	NC01557531
2	NC02011511	NC02020011	NC02020031	NC02023031	NC02046031	NC02057531
3	NC03011511	NC03020011	NC03020031	NC03023031	NC03046031	NC03057531
5	NC05011511	NC05020011	NC05020031	NC05023031	NC05046031	NC05057531
7 1/2	NA	NA	NC07520031	NC07523031	NC07546031	NC07557531
10	NA	NA	NC10020031	NC10023031	NC10046031	NC10057531
15	NA	NA	NC15020031	NC15023031	NC15046031	NC15057531
20	NA	NA	NC20020031	NC20023031	NC20046031	NC20057531
25	NA	NA	NC25020031	NC25023031	NC25046031	NC25057531

NEMA 1-Duplex Starter Panel - Reciprocating Compressors

Motor hp	Single-Phase Part Number		Three-Phase Part Number			
	115V	230V	200V	230V	460V	575V
1	114900E11	114900E12	114900E31	114900E32	114900E34	114900E35
1 1/2	114900F11	114900F12	114900F31	114900F32	114900F34	114900F35
2	114900G11	114900G12	114900G31	114900G32	114900G34	114900G35
3	114900H11	114900H12	114900H31	114900H32	114900H34	114900H35
5	114900I11	114900I12	114900I31	114900I32	114900I34	114900I35
7 1/2	NA	NA	114900J31	114900J32	114900J34	114900J35
10	NA	NA	114900K31	114900K32	114900K34	114900K35
15	NA	NA	114900L31	114900L32	114900L34	114900L35
20	NA	NA	114900M31	114900M32	114900M34	114900M35
25	NA	NA	NA	114900N32	114900N34	114900N35
30	NA	NA	NA	NA	114900O34	114900O35

NEMA 4-Duplex Controller

- Reciprocating Compressors

Motor hp	Single-Phase Part Number		Three-Phase Part Number			
	115V	230V	200V	230V	460V	575V
1	NC01011514	NC01020014	NC01020034	NC01023034	NC01046034	NC01057534
1 1/2	NC01511514	NC01520014	NC01520034	NC01523034	NC01546034	NC01557534
2	NC02011514	NC02020014	NC02020034	NC02023034	NC02046034	NC02057534
3	NC03011514	NC03020014	NC03020034	NC03023034	NC03046034	NC03057534
5	NC05011514	NC05020014	NC05020034	NC05023034	NC05046034	NC05057534
7 1/2	NA	NA	NC07520034	NC07523034	NC07546034	NC07557534
10	NA	NA	NC10020034	NC10023034	NC10046034	NC10057534
15	NA	NA	NC15020034	NC15023034	NC15046034	NC15057534
20	NA	NA	NC20020034	NC20023034	NC20046034	NC20057534
25	NA	NA	NC25020034	NC25023034	NC25046034	NC25057534

NEMA 4-Duplex Starter Panel

- Reciprocating Compressors

Motor hp	Single-Phase Part Number		Three-Phase Part Number			
	115V	230V	200V	230V	460V	575V
1	114901E11	114901E12	114901E31	114901E32	114901E34	114901E35
1 1/2	114901F11	114901F12	114901F31	114901F32	114901F34	114901F35
2	114901G11	114901G12	114901G31	114901G32	114901G34	114901G35
3	114901H11	114901H12	114901H31	114901H32	114901H34	114901H35
5	114901I11	114901I12	114901I31	114901I32	114901I34	114901I35
7 1/2	NA	NA	114901J31	114901J32	114901J34	114901J35
10	NA	NA	114901K31	114901K32	114901K34	114901K35
15	NA	NA	114901L31	114901L32	114901L34	114901L35
20	NA	NA	114901M31	114901M32	114901M34	114901M35
25	NA	NA	NA	114901N32	114901N34	114901N35
30	NA	NA	NA	NA	114901O34	114901O35

Special Notes: 114902xxx is a starter panel that is a NEMA 1 panel with hour meter included in the panel.
114903xxx is a starter panel that is a NEMA 4 panel with hour meter included in the panel.

Duplex Automatic Alternating Panel (Controller)

Dual Point Power Connection

- Prewired or packaged in a standard Nema 1. Inquire for availability on Nema 4.
- Panels require dual point power supply connection, motor lead connection, and pressure switch connection.
- For use with 2 compressors where one compressor is the primary source of air and a secondary compressor operates only during periods of high air demand.

Features

- UL & cUL listed
- IEC Rated Magnetic Starters
- 120 volt, control power transformer
- Lead Select/Auto Selector switch gives user choice of compressor #1 or #2 lead or automatic alternation



NEMA 1-Duplex Controller

- Reciprocating Compressors

Standard Panels

Motor hp	Control Circuit Type	Part Number Based on hp and Supply Voltage Line or Motor Voltage					
		1-Phase, 60 Hz A.C.			3-Phase, 60 Hz, A.C.		
		110-120	220-240	200	230	460	575
1/3	120V	90521B122	90521E321	90521B221	90521B321	90521B421	90521B521
1/2	120V	90521C122	90521F321	90521C221	90521C321	90521C421	90521C521
3/4	120V	90521D122	90521G321	90521D221	90521D321	90521D421	90521D521
1	120V	90521E122	90521E311	90521E221	90521E321	90521E421	90521E521
1 1/2	120V	90521F122	90521F311	90521F221	90521F321	90521F421	90521F521
2	120V	90521G122	90521G311	90521G221	90521G321	90521G421	90521G521
3	120V	NA	90521H311	90521H221	90521H321	90521H421	90521H521
5	120V	NA	90521I311	90521I221	90521I321	90521I421	90521I521
7 1/2	120V	NA	90521J311	90521J221	90521J321	90521J421	90521J521
10	120V	NA	NA	90521K221	90521K321	90521K421	90521K521
15	120V	NA	NA	90521L221	90521L321	90521L421	90521L521
20	120V	NA	NA	NA	90521M321	90521M421	90521M521
25	120V	NA	NA	NA	NA	90521N421	90521N521
30	120V	NA	NA	NA	NA	90521O421	90521O521

Duplex Automatic Alternating Panel (Controller) Dual Point Power Connection (continued)



ELECTRICAL

NEMA 1-Duplex Controller - Reciprocating Compressors

Deluxe

Motor hp	Control Circuit Type	Part Number Based on hp and Supply Voltage Line or Motor Voltage					
		1-Phase, 60 Hz A.C.			3-Phase, 60 Hz, A.C.		
		110-120	220-240	200	230	460	575
1/3	120V	90521B122DX	90521E321DX	90521B221DX	90521B321DX	90521B421DX	90521B521DX
1/2	120V	90521C122DX	90521F321DX	90521C221DX	90521C321DX	90521C421DX	90521C521DX
3/4	120V	90521D122DX	90521G321DX	90521D221DX	90521D321DX	90521D421DX	90521D521DX
1	120V	90521E122DX	90521E311DX	90521E221DX	90521E321DX	90521E421DX	90521E521DX
1 1/2	120V	90521F122DX	90521F311DX	90521F221DX	90521F321DX	90521F321DX	90521F521DX
2	120V	90521G122DX	90521G311DX	90521G221DX	90521G321DX	90521G421DX	90521G521DX
3	120V	NA	90521H311DX	90521H221DX	90521H321DX	90521H421DX	90521H521DX
5	120V	NA	90521I311DX	90521I221DX	90521I321DX	90521I421DX	90521I521DX
7 1/2	120V	NA	90521J311DX	90521J221DX	90521J321DX	90521J421DX	90521J521DX
10	120V	NA	NA	90521K221DX	90521K321DX	90521K421DX	90521K521DX
15	120V	NA	NA	90521L221DX	90521L321DX	90521L421DX	90521L521DX
20	120V	NA	NA	NA	90521M321DX	90521M421DX	90521M521DX
25	120V	NA	NA	NA	NA	90521N421DX	90521N521DX
30	120V	NA	NA	NA	NA	90521O421DX	90521O521DX

Features:

- UL & cUL Listed
- IEC Rated Magnetic Starters
- 120 VAC Control Power Transformer
- Power on Pilot lights

- Lead select/auto selector switch gives user choice of compressor #1 or #2 Lead or Automatic Alternation
- Test/Off/Auto Selector Switches
- Compressor Run Pilot Lights

Duplex Panel - Optional Features

- Reciprocating Compressors
- Dual Point Power Connection

FACTORY INSTALLED

••AT TIME OF SALE••

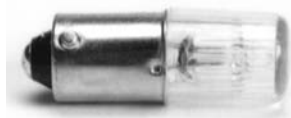
Part Number	Description	Std Panel	Deluxe Panel
111056-005	OP-GR, Switches Hand-Off-Auto	X	X
111056-006	Gr, Hour Meter	X	X

Control Panel Replacement Light Assembly and Bulbs

- Rotary Compressors



#21555-01



#128940



#129568-001

Lamp Assemblies		Lens Only		Replacement Bulbs
129088	Red	129568-01R	Red	128940
129568-003	Red	21556-01A	Amber	143144-02
129568-004	Amber	129866	Amber	143144-01

Low Oil Pressure Shut-Down Switch

Part Number	Available Voltages	Assembly Includes
5897X	120 volts 120/240 volts	1 5820 Tube, 1-1643 Connector, 1-3016 Nipple, 1 6698 Tee, 1-7074 Flare Nut and 1-4516 Bushing

Footnote:

The Low Oil Pressure Shut-down Switch can be used on any compressor powered by 480V AC or 575V AC through a magnetic starter provided:

First: That the Magnetic Starter with which it is to be used, is equipped with a 120V Control Circuit

Second: That a Control Circuit Transformer be supplied of sufficient capacity to furnish 13VA @ 120V or 26VA @ 480V for the time delay, in addition to the requirements of the starter holding coil and other power consuming components of the Control Circuit.

Enclosed Starters

- Reciprocating Compressors

- Enclosed starters standard NEMA 1 and NEMA 4
- Enclosed starters include line voltage coils.
- If 24 or 120 volt coil is required, call Quincy Parts and Accessories.

Part Number	Phase	Voltage	HP	Type of Enclosed	Coil Voltage
113101BBAA	1	115	1/3	Enclosed	115
113101BCAA	1	115	1/2	Enclosed	115
113101DDAA	1	115	3/4	Enclosed	115
113101DEAA	1	115	1	Enclosed	115
113101EFAA	1	115	1 1/2	Enclosed	115
113101EGAA	1	115	2	Enclosed	115
113101GHAA	1	115	3	Enclosed	115
113101JIAA	1	115	5	Enclosed	115
113101CEBE	1	200	1	Enclosed	200
113101CFBE	1	200	1 1/2	Enclosed	200
113101DGBE	1	200	2	Enclosed	200
113101EHBE	1	200	3	Enclosed	200
113101GIBE	1	200	5	Enclosed	200
113101ABCB	1	230	1/3	Enclosed	230
113101ACCB	1	230	1/2	Enclosed	230
113101BDCB	1	230	3/4	Enclosed	230
113101BECB	1	230	1	Enclosed	230
113101CFCB	1	230	1 1/2	Enclosed	230
113101CGCB	1	230	2	Enclosed	230
113101DHCB	1	230	3	Enclosed	230
113101FICB	1	230	5	Enclosed	230
113101HJCB	1	230	7 1/2	Enclosed	230
113101JKCB	1	230	10	Enclosed	230



#113101BBAA

Enclosed Starters

- Reciprocating Compressors

- Enclosed starters standard NEMA 1 and NEMA 4
- Enclosed starters include line voltage coils.
- If 24 or 120 volt coil is required, call Quincy Parts and Accessories

Part Number	Phase	Voltage	HP	Type of Enclosure	Coil Voltage
113100ABAE	3	200	1/3	Enclosed	200
113100ACAE	3	200	1/2	Enclosed	200
113100ADAE	3	200	3/4	Enclosed	200
113100AEAE	3	200	1	Enclosed	200
113100FAAE	3	200	1 1/2	Enclosed	200
113100BGAE	3	200	2	Enclosed	200
113100ABAE	3	200	3	Enclosed	200
113100CHAE	3	200	5	Enclosed	200
113100EIAE	3	200	7 1/2	Enclosed	200
113100FJAE	3	200	10	Enclosed	200
113100HKAE	3	200	15	Enclosed	200
113100JLAE	3	200	20	Enclosed	200
113100KMAE	3	200	25	Enclosed	200
113100MOAE	3	200	30	Enclosed	200
113100ABBB	3	230	1/3	Enclosed	230
113100ACBB	3	230	1/2	Enclosed	230
113100AEBB	3	230	1	Enclosed	230
113100AFBB	3	230	1 1/2	Enclosed	230
113100BGBB	3	230	2	Enclosed	230
113100CHBB	3	230	3	Enclosed	230
113100DIBB	3	230	5	Enclosed	230
113100EJBB	3	230	7 1/2	Enclosed	230
113100FKBB	3	230	10	Enclosed	230
113100HLBB	3	230	15	Enclosed	230
113100JMBB	3	230	20	Enclosed	230
113100KNBB	3	230	25	Enclosed	230
113100LOBB	3	230	30	Enclosed	230

Enclosed Starters

- Reciprocating Compressors

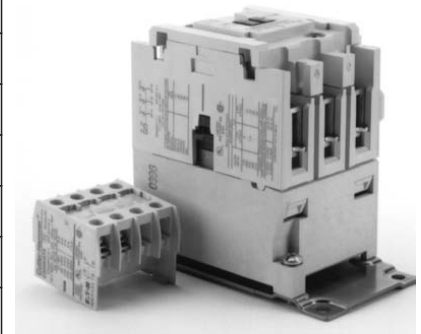
- Enclosed starters standard NEMA 1 and NEMA 4
- Enclosed starters include line voltage coils unless otherwise specified.
- If 24 or 120 volt coil is required, call Quincy Parts and Accessories.

Part Number	Phase	Voltage	HP	Type of Enclosure	Coil Voltage
113100ABDC	3	460	1/3	Enclosed	460
113100ACDC	3	460	1/2	Enclosed	460
113100ADDC	3	460	3/4	Enclosed	460
113100AEDC	3	460	1	Enclosed	460
113100AFDC	3	460	1 1/2	Enclosed	460
113100AGDC	3	460	2	Enclosed	460
113100AHDC	3	460	3	Enclosed	460
113100BIDC	3	460	5	Enclosed	460
113100CJDC	3	460	7 1/2	Enclosed	460
113100DKDC	3	460	10	Enclosed	460
113100ELDC	3	460	15	Enclosed	460
113100FMDC	3	460	20	Enclosed	460
113100GNDC	3	460	25	Enclosed	460
113100HODC	3	460	30	Enclosed	460

Open Starters

•With line voltage coil

Contact Number	Phase	Voltage	IHP	Type of Enclosure	Overload Number	Coil Voltage
113102-007	1	115	1/3	Open	113103-011	115
113102-007	1	115	1/2	Open	113103-012	115
113102-019	1	115	3/4	Open	113103-014	115
113102-019	1	115	1	Open	113103-014	115
113102-025	1	115	1 1/2	Open	113103-015	115
113102-025	1	115	2	Open	113103-016	115
113102-037	1	115	3	Open	113103-021	115
113102-043	1	115	5	Open	113103-021	115
113102-008	1	200	1/3	Open	113103-010	200
113102-008	1	200	1/2	Open	113103-010	200
113102-008	1	200	3/4	Open	113103-011	200
113102-014	1	200	1	Open	113103-013	200
113102-014	1	200	1 1/2	Open	113103-013	200
113102-020	1	200	2	Open	113103-013	200
113102-026	1	200	3	Open	113103-014	200
113102-038	1	200	5	Open	113103-018	200
113102-009	1	230	1/3	Open	113103-010	230
113102-009	1	230	1/2	Open	113103-010	230
113102-009	1	230	3/4	Open	113103-011	230
113102-009	1	230	1	Open	113103-011	230
113102-015	1	230	1 1/2	Open	113103-013	230
113102-015	1	230	2	Open	113103-013	230
113102-021	1	230	3	Open	113103-014	230
113102-033	1	230	5	Open	113103-016	230
113102-045	1	230	7 1/2	Open	113103-020	230
113102-045	1	230	10	Open	113103-020	230



#113102-043

ELECTRICAL

•When ordering open contactors or starters, specify motor full load amps to properly size overload relay.

Open Starters

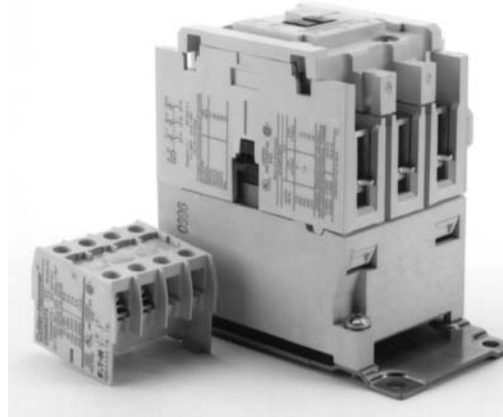
• With 120 Volt Coil

Contactor Number	Phase	Voltage	HP	Type of Enclosure	Overload Number	Coil Voltage
113102-007	3	200	1/3	Open	113103-005	120
113102-007	3	200	1/2	Open	113103-007	120
113102-007	3	200	3/4	Open	113103-008	120
113102-007	3	200	1	Open	113103-009	120
113102-007	3	200	1 1/2	Open	113103-010	120
113102-007	3	200	2	Open	113103-011	120
113102-013	3	200	3	Open	113103-013	120
113102-025	3	200	5	Open	113103-014	120
113102-031	3	200	7 1/2	Open	113103-016	120
113102-043	3	200	10	Open	113103-018	120
113102-049	3	200	15	Open	113103-020	120
113102-055	3	200	20	Open	113103-021	120
113102-061	3	200	25	Open	113103-023	120
113102-067	3	200	30	Open	113103-023	120
113102-007	3	230	1/3	Open	113103-004	120
113102-007	3	230	1/2	Open	113103-006	120
113102-007	3	230	3/4	Open	113103-007	120
113102-007	3	230	1	Open	113103-008	120
113102-007	3	230	1 1/2	Open	113103-010	120
113102-007	3	230	2	Open	113103-011	120
113102-013	3	230	3	Open	113103-012	120
113102-019	3	230	5	Open	113103-014	120
113102-025	3	230	7 1/2	Open	113103-015	120
113102-031	3	230	10	Open	113103-016	120
113102-043	3	230	15	Open	113103-020	120
113102-049	3	230	20	Open	113103-021	120
113102-055	3	230	25	Open	113103-022	120
113102-061	3	230	30	Open	113103-023	120
113102-067	3	230	40	Open	113103-024	120

•When ordering open contactors or starters, specify motor full load amps to properly size overload relay.

Open Starters

- With 120 Volt Coil



#113102-043

Contactor Number	Phase	Voltage	HP	Type of Enclosure	Overload Number	Coil Voltage
113102-007	3	460	1/3	Open	113103-002	120
113102-007	3	460	1/2	Open	113103-004	120
113102-007	3	460	3/4	Open	113103-005	120
113102-007	3	460	1	Open	113103-006	120
113102-007	3	460	1 1/2	Open	113103-007	120
113102-007	3	460	2	Open	113103-008	120
113102-007	3	460	3	Open	113103-010	120
113102-007	3	460	5	Open	113103-011	120
113102-013	3	460	7 1/2	Open	113103-013	120
113102-019	3	460	10	Open	113103-014	120
113102-025	3	460	15	Open	113103-015	120
113102-031	3	460	20	Open	113103-016	120
113102-037	3	460	25	Open	113103-019	120
113102-043	3	460	30	Open	113103-019	120
113102-049	3	460	40	Open	113103-021	120
113102-055	3	460	50	Open	113103-022	120
113102-061	3	460	60	Open	113103-023	120
113102-067	3	460	75	Open	113103-024	120

•When ordering open contactors or starters, specify motor full load amps to properly size overload relay.

Open Starters

•With 200 Volt Coil

Contact Number	Phase	Voltage	HP	Type of Enclosure	Overload Number	Coil Voltage
113102-008	3	200	1/3	Open	113103-005	200
113102-008	3	200	1/2	Open	113103-007	200
113102-008	3	200	3/4	Open	113103-008	200
113102-008	3	200	1	Open	113103-009	200
113102-008	3	200	1 1/2	Open	113103-010	200
113102-008	3	200	2	Open	113103-011	200
113102-014	3	200	3	Open	113103-012	200
113102-026	3	200	5	Open	113103-014	200
113102-032	3	200	7 1/2	Open	113103-015	200
113102-044	3	200	10	Open	113103-018	200
113102-050	3	200	15	Open	113103-020	200
113102-056	3	200	20	Open	113103-021	200
113102-062	3	200	25	Open	113103-023	200
113102-068	3	200	30	Open	113103-024	200
113102-009	3	230	1/3	Open	113103-004	230
113102-009	3	230	1/2	Open	113103-006	230
113102-009	3	230	3/4	Open	113103-007	230
113102-009	3	230	1	Open	113103-008	230
113102-009	3	230	1 1/2	Open	113103-010	230
113102-009	3	230	2	Open	113103-011	230
113102-015	3	230	3	Open	113103-012	230
113102-021	3	230	5	Open	113103-014	230
113102-027	3	230	7 1/2	Open	113103-015	230
113102-033	3	230	10	Open	113103-016	230
113102-045	3	230	15	Open	113103-020	230
113102-051	3	230	20	Open	113103-021	230
113102-057	3	230	25	Open	113103-022	230
113102-063	3	230	30	Open	113103-023	230
113102-069	3	230	40	Open	113103-024	230

•When ordering open contactors or starters, specify motor full load amps to properly size overload relay.

Open Starters

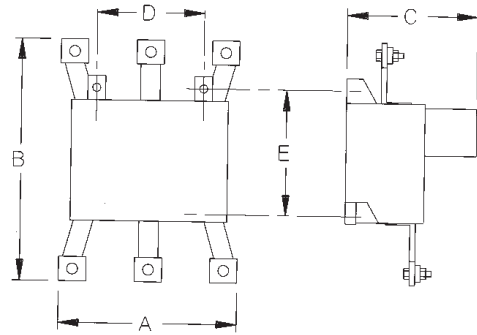
•With 460 Volt Coil

Contactor Number	Phase	Voltage	HP	Type of Enclosure	Overload Number	Coil Voltage
113102-011	3	460	1/3	Open	113103-002	460
113102-011	3	460	1/2	Open	113103-004	460
113102-011	3	460	3/4	Open	113103-005	460
113102-011	3	460	1	Open	113103-006	460
113102-011	3	460	1 1/2	Open	113103-007	460
113102-011	3	460	2	Open	113103-008	460
113102-011	3	460	3	Open	113103-010	460
113102-011	3	460	5	Open	113103-011	460
113102-017	3	460	7 1/2	Open	113103-013	460
113102-023	3	460	10	Open	113103-014	460
113102-029	3	460	15	Open	113103-015	460
113102-035	3	460	20	Open	113103-016	460
113102-041	3	460	25	Open	113103-019	460
113102-047	3	460	30	Open	113103-019	460
113102-053	3	460	40	Open	113103-020	460
113102-059	3	460	50	Open	113103-022	460
113102-065	3	460	60	Open	113103-023	460
113102-071	3	460	75	Open	113103-024	460

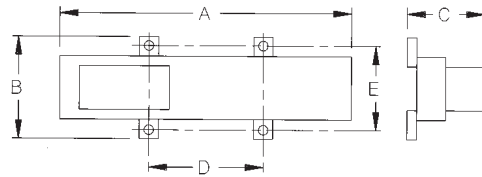
•When ordering open contactors or starters, specify motor full load amps to properly size overload relay.

Adjustable IEC Overload Relays

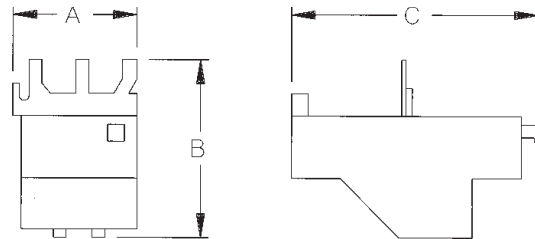
Part Number	Current Range (Amps)		O.L. Relay Frame Size	For Contactor Size
	Min.	Max.		
113103-001	0.25	0.4	F	A-F (45 mm)
113103-002	0.4	0.63		
113103-003	0.63	1		
113103-004	1	1.4		
113103-005	1.3	1.8		
113103-006	1.7	2.4		
113103-007	2.2	3.1		
113103-008	2.8	4		
113103-009	3.5	5		
113103-010	4.5	6.5		
113103-011	6	8.5		
113103-012	7.5	11		
113103-013	10	14		
113103-014	13	19		
113103-015	18	24		
113103-016	24	32		
113103-017	18	25	K	G-K (65 mm)
113103-018	22	32		
113103-019	29	42		
113103-020	36	52		
113103-021	45	63		
113103-022	60	80		
113103-023	65	90	P	L-N (90 mm) P-S (180 mm)
113103-024	80	110		
113103-025	100	135		
113103-026	110	150		
113103-027	130	175		
113103-028	150	200		
113103-029	130	185	S	A-S (CT Style)
113103-030	165	235		
113103-031	220	310		
113103-032	285	400		
113103-033	355	500	U	
113103-034	465	650		
113103-035	610	850		



FRAME SIZE P



FRAME SIZES S AND U



FRAME SIZES F AND K

#113103

Frame Size	Wide A	High B	Deep C	Mounting	
				D	E
F	1.71	2.62	3.66	-	-
K	2.13	3.7	4.41	-	-
P	4.09	5.51	4.88	2.65	1.46
S	7.6	2.63	6.61	2.99	2.17
U	9.65	3.94	8.27	3.23	3.15

Open Contactors

Part Number	Size	Amp Rating	Coil Voltage	Maximum 3 Phase Horsepower					Maximum 1 Phase Horsepower		
				200V	230V	380/415V	460V	575V	115V	200V	230V
113102-007	B	10	110-120	2	2	-	5	7.5	1/2	3/4	1
113102-008			208								
113102-009			220-240								
113102-010			380-415								
113102-011			440-480								
113102-012			550-600								
113102-013	C	12	110-120	3	3	5	7.5	10	-	1.5	2
113102-014			208								
113102-015			220-240								
113102-016			380-415								
113102-017			440-480								
113102-018			550-600								
113102-019	D	18	110-120	-	5	10	10	15	1	2	3
113102-020			208								
113102-021			220-240								
113102-022			380-415								
113102-023			440-480								
113102-024			550-600								
113102-025	E	25	110-120	5	7.5	15	15	20	2	3	3
113102-026			208								
113102-027			220-240								
113102-028			380-415								
113102-029			440-480								
113102-030			550-600								
113102-031	F	32	110-120	7.5	10	-	20	25	2	-	5
113102-032			208								
113102-033			220-240								
113102-034			380-415								
113102-035			440-480								
113102-036			550-600								
113102-037	G	37	110-120	7.5	10	20	25	30	3	5	5
113102-038			208								
113102-039			220-240								
113102-040			380-415								
113102-041			440-480								
113102-042			550-600								

Open Contactors

Part Number	Size	Amp Rating	Coil Voltage	Maximum 3 Phase Horsepower				
				200V	230V	380/415V	460V	575V
113102-043	H	44	110-120	10	15	25	30	40
113102-044			208					
113102-045			220-240					
113102-046			380-415					
113102-047			440-480					
113102-048			550-600					
113102-049	J	60	110-120	15	20	30	40	40
113102-050			208					
113102-051			220-240					
113102-052			380-415					
113102-053			440-480					
113102-054			550-600					
113102-055	K	69	110-120	20	25	40	50	50
113102-056			208					
113102-057			220-240					
113102-058			380-415					
113102-059			440-480					
113102-060			550-600					
113102-061	L	85	110-120	25	30	50	60	75
113102-062			208					
113102-063			220-240					
113102-064			380-415					
113102-065			440-480					
113102-066			550-600					

Open Contactors

Part Number	Size	Amp Rating	Coil Voltage	Maximum 3 Phase Horsepower				
				200V	230V	380/415V	460V	575V
113102-067	M	105	110-120	30	40	60	75	100
113102-068			208					
113102-069			220-240					
113102-070			380-415					
113102-071			440-480					
113102-072			550-600					
113102-073	N	140	110-120	40	50	75	100	125
113102-074			208					
113102-075			220-240					
113102-076			380-415					
113102-077			440-480					
113102-078			550-600					
113102-079	P	170	110-120	50	60	100	125	125
113102-080			208					
113102-081			220-240					
113102-082			380-415					
113102-083			440-480					
113102-084			550-600					
113102-085	R	200	110-120	60	75	125	150	150
113102-086			208					
113102-087			220-240					
113102-088			380-415					
113102-089			440-480					
113102-090			550-600					
113102-091	S	300	110-120	75	100	150	200	200
113102-092			208					
113102-093			220-240					
113102-094			380-415					
113102-095			440-480					
113102-096			550-600					

Auxiliary Starters

- Newer Rotary Compressors

- Overloads are available from Quincy Parts and Accessories.
- When ordering, the Full Load Amps from the motor name plate must be given.

Part Number	AC3 Amps	Max IEC 3-Phase Horsepower					
		200V	230V	380V	415V	460V	575V
141590-01	9	2	-	3	3	5	5
141590-02	12	3	3	5	5	-	10
141590-03	16	-	5	7.5	10	10	-
141590-04	22	5	-	10	-	15	20
141590-05	32	10	10	15	20	20	25
141590-06	38	-	-	20	-	25	30
141590-07	45	-	15	25	30	30	40
141590-08	63	20	20	30	40	40	50
141590-09	75	-	25	-	50	50	60
141590-10	85	25	30	50	60	60	75
141590-11	110	30	40	60	75	75	-
141590-12	140	40	50	75	100	100	125
141590-13	170	50	-	100	-	125	150
141590-14	205	60	75	125	125	150	200
141590-15	250	75	100	150	150	200	250
141590-16	300	100	-	200	200	250	300
141590-17	400	125	150	250	250	300	400

Auxiliary Contacts

Newer Rotary Compressors

Works with Part Number 141590 Motor Starter

Part Number	Starter Size	Maximum 3-Phase hp Motor Voltage		
		208	230	460
140593-01	B	2	2	5
140593-02	C	3	3	7 1/2
140593-03	D	5	5	10
140593-04	E	5	7 1/2	15
140593-05	F	7 1/2	10	20
140593-06	G	7 1/2	10	25
140593-07	H	10	15	30
140593-08	J	15	20	40
140593-09	K	20	25	50



#140593-09

Overload Relays

- Rotary Screw Compressors

Part Number	Current Range Amps	
	Minimum	Maximum
141591-001	0.25	0.40
141591-002	0.40	0.63
141591-003	0.63	1.00
141591-004	0.80	1.25
141591-005	1.00	1.60
141591-006	1.25	2.00
141591-007	1.60	2.50
141591-008	2.00	3.20
141591-009	2.50	4.00
141591-010	3.20	5.00
141591-011	4.00	6.30
141591-012	5.00	8.00
141591-013	6.30	10.00
141591-014	8.00	12.50
141591-015	10.0	14.50
141591-016	0.25	0.40
141591-017	0.40	0.63
141591-018	0.63	1.00
141591-019	0.80	1.25
141591-020	1.00	1.60
141591-021	1.25	2.00
141591-022	1.60	2.50
141591-023	2.00	3.20
141591-024	2.50	4.00
141591-025	3.20	5.00
141591-026	4.00	6.30
141591-027	5.00	8.00
141591-028	6.30	10.00
141591-029	8.00	12.50

Part Number	Current Range Amps	
	Minimum	Maximum
141591-030	10.00	16.00
141591-031	12.50	20.00
141591-032	16.00	25.00
141591-033	0.25	0.40
141591-034	0.40	0.63
141591-035	0.63	1.00
141591-036	0.80	1.25
141591-037	1.00	1.60
141591-038	1.25	2.00
141591-039	1.60	2.50
141591-040	2.00	3.20
141591-041	2.50	4.00
141591-042	3.20	5.00
141591-043	4.00	6.30
141591-044	5.00	8.00
141591-045	6.30	10.00
141591-046	8.00	12.50
141591-047	10.00	16.00
141591-048	12.50	20.00
141591-049	16.00	25.00
141591-050	20.00	32.00
141591-051	25.00	36.00
141591-052	32.00	40.00
141591-053	36.00	45.00
141591-054	11.00	17.00
141591-055	12.50	20.00
141591-056	16.00	25.00
141591-057	20.00	32.00
141591-058	25.00	40.00

Overload Relays - continued

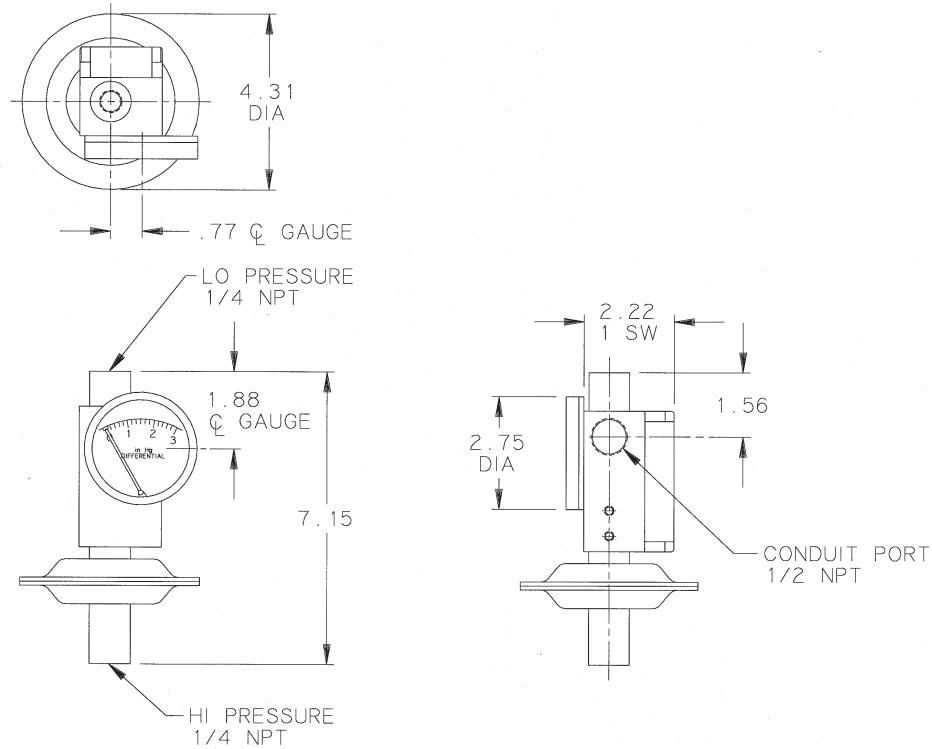
- Rotary Screw Compressors

Part Number	Current Range Amps	
	Minimum	Maximum
141591-059	32.00	50.00
141591-060	40.00	57.00
141591-061	50.00	63.00
141591-062	57.00	70.00
141591-063	63.00	80.00
141591-064	70.00	88.00
141591-065	55.00	80.00
141591-066	63.00	90.00
141591-067	80.00	100.00
141591-068	90.00	120.00
141591-069	110.00	135.00
141591-070	55.00	80.00
141591-071	63.00	90.00
141591-072	80.00	100.00
141591-073	90.00	120.00
141591-074	110.00	135.00
141591-075	120.00	150.00
141591-076	55.00	80.00
141591-077	63.00	90.00
141591-078	80.00	100.00
141591-079	90.00	120.00
141591-080	110.00	135.00
141591-081	120.00	150.00
141591-082	135.00	160.00
141591-083	150.00	180.00
141591-084	80.00	125.00
141591-085	125.00	200.00
141591-086	160.00	250.00
141591-087	200.00	320.00

Differential Pressure Switches

- Rotary Vacuum Pumps

- Measures the difference in pressure across an inlet filter, valve, piping, restriction, or other vacuum component.
- Switch provides relay with adjustable range up to 3" HgV differential.



Part Number	Description
140349	Vacuum Delta P Switch
141667	Vacuum Delta P Gauge

Special High Pressure Switches

- Rotary and Reciprocating Compressors

Part Number	Pressure		Adjustable Differential		Volts	Cont. Rating Amps	Pressure Connection
	Min.	Max.	Min.	Max.			
160129-002	13	425	9	58	600	10	1/4 NPT Female
124666-002	20	675	16	93	600	10	1/4 NPT Female



#160129-002

Automatic Pressure Switches - Non-adjustable differential

- Reciprocating Compressors

- NEMA Enclosure - Type One
- 1/4" NPT External
- Two Pole

Electrical Ratings			
Voltage	1-Phase AC	3-Phase AC	DC
115	1 1/2 hp	2 hp	1/4 hp
230	2 hp	3 hp	1/4 hp
460/575	-	1 hp	-



Reference
#110512-001



Reference
#110512-004

ELECTRICAL

Part Number	Adjustable Cut-out Pressure Setting (psig)	Adjustable Cut-out Pressure Range (psig)	Approximate Differential Non-Adjustable (psig)	Notes or Special Features
110512-001	150	70-150	30	For QR and QT production models, excluding base mounted units. Switch screws into receiver.
110512-002	125	70-150	30	
110512-003	175	100-200	40	
110512-004	150	70-150	30	Form X (Pressure Release Valve)
110512-005	175	100-200	40	
110512-006	90	40-100	20	
110512-007	100	40-100	20	
110512-008	80	40-100	20	
110512-009	80	40-100	20	Form X (Pressure Release Valve)
110512-010	175	100-200	40	Form X (Pressure Release Valve) Form MI (Auto/Off Lever)
110512-011	120	70-150	30	
110512-012	120	70-150	30	Form X (Pressure Release Valve) Form MI (Auto/Off Lever) Form G4 (Second Ground Screw) Form W (Factory Sealed Range Stud)
110512-013	120	70-150	30	
110512-014	75	40-100	20	
110512-015	50	40-100	20	Form X (Pressure Release Valve)

Automatic Pressure Switches - Adjustable Differential

- Rotary and Reciprocating Compressors

- NEMA Enclosure - Type One
- 1/4" NPT External
- Two Pole



Standard Switch



Standard Switch with Release

Electrical Ratings			
Voltage	1-Phase AC	3-Phase AC	DC
115	2 hp	3 hp	1 hp
230	3 hp	5 hp	1 hp
460/575	5 hp	5 hp	Ñ

Part Number	Adjustable Cut-out Pressure Setting (psig)	Adjustable Cut-out Pressure Range (psig)	Approximate Adjustable Differential Setting (psig)	Approximate Adjustable Differential Range (psig)	Notes or Special Features
2298-115	115	65-200	20	20-40	Mounting Feet
2298-125	125	65-200	20	20-40	
2298-130	130	65-200	20	20-40	
2298-140	140	65-200	20	20-40	
2298-175	175	80-250	35	24-45	
2298-250	250	80-250	35	24-45	
2298R-040	40	20-80	20	15-30	Mounting Feet Form X (Two-Way Pressure Release Valve)
2298R-050	50	20-80	20	15-30	
2298R-100	100	65-200	20	20-40	
2298R-175	175	80-250	35	24-45	
2298R-250	250	80-250	35	24-45	

Continued on next page

Automatic Pressure Switches - Adjustable Differential

- Rotary and Reciprocating Compressors

- NEMA Enclosure - Type One
- 1/4" NPT External
- Two Pole

Electrical Ratings			
Voltage	1-Phase AC	3-Phase AC	DC
115	2 hp	3 hp	1 hp
230	3 hp	5 hp	1 hp
460-575	5 hp	5 hp	Ñ

ELECTRICAL

Part Number	Adjustable Cut-Out Pressure Setting (psig)	Adjustable Cut-Out Pressure Range (psig)	Approximate Adjustable Differential Setting (psig)	Approximate Adjustable Differential Range (psig)	Notes or Special Features
2298SNS	Consult Factory	80-250	Consult Factory	24-45	Mounting Feet
2298S3NS	Consult Factory	65-200	Consult Factory	20-40	
2298S31215	150	65-200	20	20-40	
2298S31417	175	65-200	35	20-40	
2298S379	90	65-200	20	20-40	
2298S3810	100	65-200	20	20-40	
3834-68	80	65-200	20	20-40	Mounting Bracket Form X (Pressure Release Valve)
3834-79	90	65-200	20	20-40	
3834-1113	135	65-200	25	20-40	
3834-1215	150	65-200	30	20-40	
3834NS	Consult Factory	65-200	Consult Factory	20-40	
8698-009	125	65-200	15	15-40	1/2" NPT External 1/8" NPT Internal

Vacuum Switches

Part Number	Current Rating		Settings in HGv		Differential in HGv		Vacuum Connection	Notes or Special Features
	hp	volt	Min	Max	Min	Max		
4627S2	3 5	230 460	5	25	4.5 @ 5" 5 @ 10" 5 @ 25"	4.5 @ 5" 9 @ 10" 12 @ 25"	1/4" -18 NPT	Settings and Differential are Adjustable

"V" Belts for Rotary Compressors

"3VX" Sections Belts		
Set Part Number	Outside Length	Quantity of Belts in Set
128085-235	35.5"	2
128085-237	37.5"	2
128085-240	40.0"	2
128085-242	42.5"	2
128085-245	45.0"	2
128085-340	40.0"	3
128085-342	42.5"	3
128085-345	45.0"	3
128085-347	47.5"	3
128085-350	50.0"	3
128085-353	53.0"	3
128085-356	56.0"	3
128085-360	60.0"	3
128085-363	63.0"	3
128085-365	65.0"	3
128085-367	67.0"	3
128085-442	42.5"	4
128085-445	45.0"	4
128085-447	47.5"	4
128085-450	50.0"	4
128085-453	53.0"	4
128085-456	56.0"	4
128085-460	60.0"	4
128085-463	63.0"	4
128085-467	67.0"	4

Continued in next column

"3VX" Sections Belts (continued)		
Set Part Number	Outside Length	Quantity of Belts in Set
128085-550	50.0"	5
128085-553	53.0"	5
128085-556	56.0"	5
128085-560	60.0"	5
128085-563	63.0"	5
128085-567	67.0"	5
128085-571	71.5"	5
128085-575	75.0"	5

"5VX" Sections Belts		
Set Part Number	Outside Length	Quantity of Belts in Set
128770-356	56.0"	3
128770-363	63.0"	3
128770-367	67.0"	3
128770-371	71.0"	3
128770-375	75.0"	3
128770-380	80.0"	3
128770-385	85.0"	3
128770-575	75.0"	5

"V" Belts for Reciprocating Compressors

"A" Sections Belts		
Part Number	Outside Length	Pitch Length
110258A037	39"	38.3"
110258A040	42"	41.3"
110258A041	43"	42.3"
110258A042	44"	43.3"
110258A043	45"	44.3"
110258A044	46"	45.3"
110258A046	48"	47.3"
110258A047	49"	48.3"
110258A048	50"	49.3"
110258A049	51"	50.3"
110258A050	52"	51.3"
110258A051	53"	52.3"
110258A052	54"	53.3"
110258A053	55"	54.3"
110258A055	57"	56.3"
110258A056	58"	57.3"
110258A064	66"	65.3"
110258A066	68"	67.3"
110258A071	73"	72.3"
110258A075	77"	76.3"

"AX" Sections Belts		
Part Number	Outside Length	Pitch Length
110259A048	50"	49.3"
110259A051	53"	52.3"
110259A052	54"	53.3"
110259A053	55"	54.3"

"B" Sections Belts		
Part Number	Outside Length	Pitch Length
110258B041	44"	42.8"
110258B042	45"	43.8"
110258B046	49"	47.8"
110258B048	51"	49.8"
110258B050	53"	51.8"
110258B051	54"	52.8"
110258B052	55"	53.8"
110258B053	56"	54.8"
110258B054	57"	55.8"
110258B055	58"	56.8"
110258B056	59"	57.8"
110258B057	60"	58.8"
110258B058	61"	59.8"
110258B059	62"	60.8"
110258B060	63"	61.8"
110258B061	64"	62.8"
110258B062	65"	63.8"
110258B063	66"	64.8"
110258B065	68"	66.8"
110258B066	69"	67.8"
110258B067	70"	68.8"
110258B068	71"	69.8"
110258B069	72"	70.8"
110258B070	73"	71.8"
110258B071	74"	72.8"
110258B072	75"	73.8"
110258B074	77"	75.8"
110258B075	78"	76.8"
110258B078	81"	79.8"
110258B079	82"	80.8"

Continued on next page

"V" Belts for Reciprocating Compressors

"B" Sections Belts		
Part Number	Outside Length	Pitch Length
110258B080	83"	81.8"
110258B081	84"	82.8"
110258B082	85"	83.8"
110258B083	86"	84.8"
110258B084	87"	85.8"
110258B085	88"	86.8"
110258B086	89"	87.8"
110258B087	90"	88.8"
110258B088	91"	89.8"
110258B089	92"	90.8"
110258B090	93"	91.8"
110258B091	94"	92.8"
110258B092	95"	93.8"
110258B093	96"	94.8"
110258B094	97"	95.8"
110258B095	98"	96.8"
110258B096	99"	97.8"
110258B097	100"	98.8"
110258B098	101"	99.8"
110258B099	102"	100.8"
110258B100	103"	101.8"
110258B103	106"	104.8"
110258B105	108"	106.8"
110258B108	111"	109.8"
110258B112	115"	113.8"
110258B116	119"	117.8"
110258B118	121"	119.8"
110258B120	123"	121.8"
110258B124	127"	125.8"

"BX" Sections Belts		
Part Number	Outside Length	Pitch Length
110357B048	51"	49.8"
110357B050	53"	51.8"
110357B051	54"	52.8"
110357B053	56"	54.8"
110357B054	57"	55.8"
110357B055	58"	56.8"
110357B056	59"	57.8"
110357B057	60"	58.8"
110357B061	64"	62.8"
110357B062	65"	63.8"
110357B063	66"	64.8"
110357B064	67"	65.8"
110357B065	68"	66.8"
110357B066	69"	67.8"
110357B067	70"	68.8"
110357B070	73"	71.8"
110357B075	78"	76.8"
110357B077	80"	78.8"
110357B078	81"	79.8"
110357B090	93"	91.8"

"C" Sections Belts		
Part Number	Outside Length	Pitch Length
110258C136	140.0"	138.9"
110258C144	148.0"	146.9"

Motor Pulleys and Bushings

- Reciprocating Compressors

*Single Groove for A or B Belts			
Part Number	P.D. for A	P.D. for B	Bore size of pulley or bushing bore
3838-12	2.40	2.80	.500 (1/2)
3840-58	2.80	3.20	.625 (5/8)
110578-78	3.00	3.40	.875 (7/8)
5188-58	3.20	3.60	.625 (5/8)
110579-58	3.50	3.90	.625 (5/8)
110579-78	3.50	3.90	.875 (7/8)
110580-58	3.70	4.10	.625 (5/8)
110580-78	3.70	4.10	.875 (7/8)
3851	6.00	6.40	For .875 (7/8) use 8923 Bushing
3851	6.00	6.40	For 1.125 (1 1/8) use 8924 Bushing
3851	6.00	6.40	For 1.375 (1 3/8) use 110484 Bushing
110591	8.00	8.40	For .875 (7/8) use 8923 Bushing
110591-118	8.00	8.40	1.125 (1 1/8)
110591	8.00	8.40	For 1.125 (1 1/8) use 8924 Bushing
110591	8.00	8.40	For 1.375 (1 3/8) use 110484 Bushing



#3851



Bushing

Single Groove for QTS Units		
Part Number	P. D. for A	Bore Size of Pulley
112757-4	2.00	0.625 (5 / 8)
112757-6	4.00	.875 (7 / 8)
112757-10	2.25	.625 (5 / 8)

*When P.D. is not known and O.D. of pulley can be measured, use this simple calculation. Example:
 - If the pulley measures 11" O.D. and uses "A" section belt(s), subtract from 11" - .250. The P.D. of that pulley equals 10.750.
 - If the pulley uses "B" section belt(s), use .350 in place of .250 to get P.D. of the pulley.

Motor Pulleys and Bushings

- Reciprocating Compressors

- Assembled and factory standard units
- Additional sizes of motor pulleys and bushings are available.
Contact Quincy Parts and Accessories for different sizes

Three Groove for A or B Belts			
Part Number	P.D. of A	P.D. of B	Bore Size of Pulley or Bushing
7401	5.00	5.40	For 1.125 (1 1/8) use 8928 Bushing
7401	5.00	5.40	For 1.375 (1 3/8) use 8930 Bushing
8313	7.60	8.00	For 1.375 (1 3/8) use 5380 Bushing
8313	7.60	8.00	For 1.625 (1 5/8) use 8936 Bushing
8313	7.60	8.00	For 1.875 (1 7/8) use 8461 Bushing
8719	9.00	9.40	For 1.375 (1 3/8) use 5380 Bushing
8719	9.00	9.40	For 1.625 (1 5/8) use 8936 Bushing
8719	9.00	9.40	For 1.875 (1 7/8) use 8461 Bushing



#8313

Four Groove for A or B Belts			
Part Number	P.D. of A	P.D. of B	Bore Size of Pulley or Bushing Bore
111469-158	12.00	12.40	For 1.625 (1 5/8")
111469-178	12.00	12.40	For 1.875 (1 7/8")
111469-2	12.00	12.40	For 2.00 (2")



#111469-178

Motor Pulleys and Bushings

- Reciprocating Compressors

*Two Groove for A or B Belts			
Part Number	P.D. for A	P.D. for B	Bore size of pulley or bushing bore
5653	3.20	3.60	For 8.75 (7/8) use 8923 Bushing
5653	3.50	3.60	For 1.125 (1 1/8) use 8924 Bushing
5653	3.20	3.60	For 1.375 (1 3/8) use 110484 Bushing
110622	3.50	3.90	For .875 (7/8) use 8923 Bushing
110622	3.50	3.90	For 1.125 (1 1/8) use 8924 Bushing
110622	4.00	3.90	For 1.375 (1 3/8) use 110484 Bushing
3862-118	4.00	4.40	For 1.125 (1 1/8) No Bushing Required
5629	4.00	4.40	For 1.125 (1 1/8) use 8928 Bushing
5629	5.20	4.40	For 1.375 (1 3/8) use 8930 Bushing
110575-118	5.50	5.60	1.125 (1 1/8)
3865	5.50	5.90	For .875 (7/8) use 8923 Bushing
3865	5.50	5.90	For 1.125 (1 1/8) use 8924 Bushing
3865	7.00	5.90	For 1.375 (1 3/8) use 110484 Bushing
110527	7.00	7.40	For .875 (7/8) use 8923 Bushing
110527	7	7	For 1.125 (1 1/8) use 8924 Bushing
110527	7.00	7.40	For 1.375 (1 3/8) use 110484



Bushing



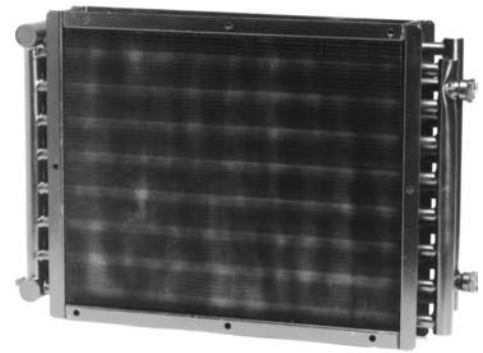
#110527

*When P.D. is not known and O.D. of pulley can be measured, use this simple calculation. Example:
 - If the pulley measures 11" O.D. and uses "A" section belt(s), subtract from 11" - .250. The P.D. of that pulley equals 10.750.
 - If the pulley uses "B" section belt(s), use .350 in place of .250 to get P.D. of the pulley.

Replacement Heat Exchanger

- Rotary Compressors

- Aftercoolers for Rotary Screw QSI and QST
 - Saltwater aftercoolers
 - Stainless steel aftercoolers
 - Water-cooled aftercoolers
 - Air-cooled aftercoolers
- Air/Fluid Aftercoolers for Rotary Screw QSI and QST
 - Air/Fluid combinations
- Fluid Coolers for Rotary Screw QSI and QST
 - Saltwater fluid coolers
 - Stainless steel fluid coolers
 - Water-cooled fluid coolers
 - Air-cooled fluid coolers



**Consult factory for approximate delivery time

Saltwater Aftercoolers - QSI and QST

Part Number	Maximum Pressure (PSIG)		Pipe Size NPT (Inches)		Dimensions (Inches)		Used On Models
	Shell	Tube	Oil	Water	Overall Length	Shell Diameter	
124061-001	300	150	1 1/2	1	19 13/16	5 1/4	QSI 235
124061-002	300	150	1 1/2	1	28 13/16	5 1/4	QSI 350
124061-002	300	150	1 1/2	1	28 13/16	5 1/4	QSI 490
124061-003	300	150	2	1 1/2	41 1/8	6 1/4	QSI 740
124061-004	300	150	3	2	30 7/8	8 5/8	QSI 1000-1250
124061-006	300	150	1	3/4	27 1/8	3 1/4	QST 40
124061-007	300	150	1	3/4	17 1/8	3 1/4	QSI 15, 20 QSI 25, 30
124061-009	150	150	2	1	25 29/32	5 1/4	QST 500
124061-010	300	150	1 1/2	1	19 29/32	5 1/4	QSI 370
141231-1	300	150	2	1 1/4	30 9/32	6 1/4	QSI 750

-Not a stock item with Quincy allow for appropriate delivery time

Stainless Steel Aftercoolers - QSI and QST

- Rotary Compressors

Part Number	Maximum Pressure (psig)		Pipe Size NPT (Inches)		Dimensions (Inches)		Used On Models
	Shell	Tube	Oil	Water	Overall Length	Shell Diameter	
127267-1	300	150	1	1	27 1/8	3 1/4	QST 40
127267-2	300	150	1 1/2	1 1/2	18 13/16	5 1/4	QSI 235
127267-6	300	150	3	2	41 7/8	8 5/8	QSI 1500
127267-15	300	150	1 1/2	1	19 29/32	5/14	QSI 370
127267-8	300	150	2	1	25 29/32	5 1/4	QSI 500
127267-5	300	150	2	1 1/2	41 1/16	6 1/4	QSI 750

-Not a stock item with Quincy allow for appropriate delivery time

Water-Cooled Aftercoolers - QSI and QST

- Rotary Compressors



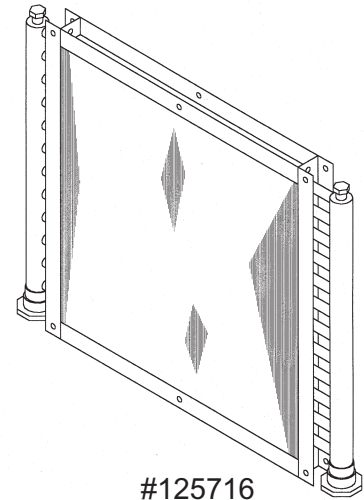
#22709

Part Number	Pipe Size NPT (Inches)		Dimensions (Inches)		Maximum Pressure (psig)		Used On Models
	Oil	Water	Overall Length	Shell Diameter	Shell	Tube	
*Early Models							
22709-2	1 1/2	1	18 13/16	5 1/4	300	150	*QSI 235
22709-3	1 1/2	1	28 13/16	5 1/4	300	150	*QSI 350 490
22709-5	2	1 1/2	41 1/8	6 1/4	300	150	*QSI 740
22709-6	3	2	30 7/8	8 5/8	300	150	*QSI 1000 1250
22709-7	3	2	42 7/8	8 5/8	300	150	*QSI 1500
Later Models							
22709-1	1	3/4	27 1/8	3 1/4	300	150	QST 40
22709-15	1 1/2	1	19 19/32	5 1/4	300	150	QSI 370
22709-16	3	2	41 7/8	5 5/8	300	150	QSI 740
22709-17	1 1/2 1 1/4	1	17 19/32	5 1/4	300	150	QSI 245
22709-18	2	1	25 19/32	5 1/4	300	150	QSI 500
22709-19	2	1 1/4	30 9/32	6 1/4	300	150	QSI 750
22709-20	3	1 1/4	26 13/32	8 1/2	300	150	QSI 1000
22709-21	3	1 1/4	32 13/32	8 1/2	300	150	QSI 1250
22709-22	3	1 1/4	36 13/32	8 1/2	300	150	QSI 1500

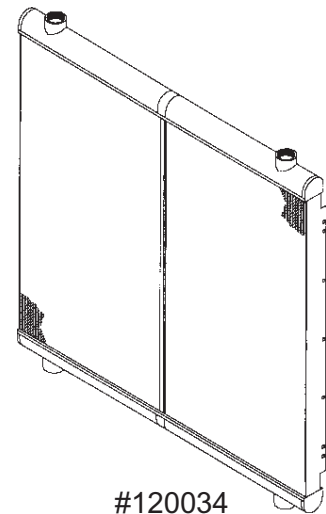
Air-Cooled Aftercoolers - QSI and QST

- Rotary Compressors

Part Number	Pipe Size NPT (inches)		Dimensions (inches)		Maximum Pressure (psig)	Used on Models
	In	Out	Height	Width		
QST Products						
121392	1 1/4"	1 1/4"	25"	24 1/2"	N.A.	QST 30-40
120407	1"	1"	22 3/4"	22 5/8"	500	QST 15-20-35-30
125331	1 1/4"	1 1/4"	33 5/8"	31"	N.A.	QST 40
125752	1 1/2"	1 1/2"	23"	28 1/4"	N.A.	QST 15-20
125716	1 1/2"	1 1/2"	27"	32 1/4"	N.A.	QST 25-30
125736	1 1/2"	1 1/2"	33"	38 1/4"	N.A.	QST 40
127535	1 1/4"	1 1/4"	22"	22 1/4"	270	QST30
127537	1 1/4"	1 1/4"	26"	28 1/4"	270	QST 40
127533	1 1/2"	1 1/4"	19 1/2"	22 7/8"	270	QST 15-20-30
QSI Products						
22009	1"	1"	31 1/2"	30 1/8"	175	QSI 235
123607	2"	2"	29 1/2"	32"	200	QSI 235
125736	1 1/2"	1 1/2"	33"	38 1/4"	N.A.	QSI 235
23603	1 1/2"	1 1/2"	38"	36 3/8"	150	QSI 350
126499	2"	2"	45 1/4"	39"	300	QSI 350
120032	2"	2"	47 1/8"	43"	150	QSI 450
120034	2"	2"	54"	54"	150	QSI 740
*126500	2"	2"	45"	53 1/4"	300	QSI 450-740
121401	2"	2"	64"	60 7/8"	150	QSI 1000-1250-1500
126734	2"	2"	56 3/4"	18 3/8"	200	QSI 1000
126562	3"	3"	73 3/8"	63"	250	QSI 1250-1500



#125716



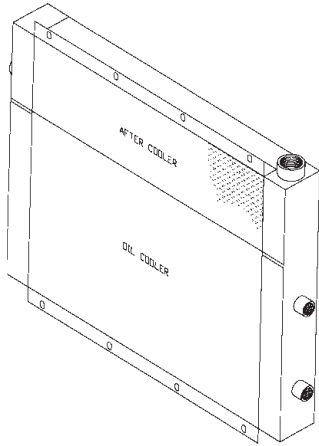
#120034

*Use on 126500-1

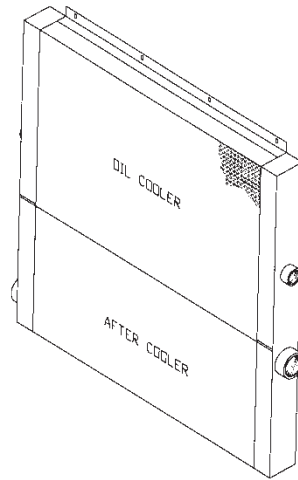
COOLERS

Combination Air/Fluid Aftercooler Cooler

- Rotary Compressors - QSI and QST



#128785



#129134

Part Number	Air Fluid	Pipe Size NPT (inches)		Dimensions (inches)		Maximum Pressure (psig)	Used on Models
		In	Out	Height	Width		
128790	Air Fluid	1 1/4" 1 1/16"-12	1 1/4" 1 1/16"-12	19"	20 7/16"	200	QST 15-20-25
128785	Air Fluid	1 1/4" 1 1/16"-12	1 1/4" 1 1/16"-12	25"	28 1/2"	200	QST 30-40
129067-1	Air Fluid	1 1/2" P 1 5/16"-12	1 1/2" P 1 5/16"-12	31 1/8"	36 1/4"	250	QST 50 QSI 235-245
129135-1	Air Fluid	2" P 1 5/8"-12	2" P 1 5/8"-12	35 5/8"	35 1/2"	200	QSI 350
129134	Air Fluid	2" P 1 5/8"-12	2" P 1 5/8"-12	35 5/8"	38 3/16"	200	QSI 490-500
129190	Air Fluid	2" P 1 7/8"-12	2" P 1 7/8"-12	45"	54"	200	QSI 740
129133	Air Fluid	3" P 2 1/2"-12	3" P 2 1/2"-12	63 1/2"	63"	200	QSI 1500
140480	Air Fluid	2 1/2" P 1 7/8"-12	2 1/2" P 1 7/8"-12	49 1/2"	54"	200	QSI 1000
140374	Air Fluid	3" P 2 1/2"-12	3" P 2 1/2"-12	63 1/2"	63"	200	QSI 1250-1500

Saltwater Fluid Coolers for QSI and QST - Rotary Compressors

Part Number	Pipe Size NPT (Inches)		Dimensions (Inches)		Maximum Pressure (psig)		Used On Models
	Oil	Water	Overall Length	Shell Diameter	Shell	Tube	
124060-001	1 1/2	1	40 13/16	5 1/4	300	150	QSI 235
124060-002	2	1 1/2	41 1/8	6 1/4	300	150	QSI 350
124060-003	2	1 1/2	53 1/8	6 1/4	300	150	QSI 490
124060-004	3	2	54 7/8	8 5/8	300	150	QSI 740 1000
124060-005	3	2	66 7/8	8 5/8	300	150	QSI 1250
124060-006	3	2	78 7/8	8 5/8	300	150	QSI 1500
124060-007	1 1/2	3/4	39 7/8	4 1/4	300	150	QST 40
124060-008	1	3/4	31 5/8	3 5/8	150	150	QST 25-30
124060-010	20 SAE 1 1/4 NPT	1	41 29/32	5 1/4	300	150	QSI 500
124060-011	16 SAE 1 1/4 NPT	1	29 29/32	5 1/4	300	150	QSI 370
141230-1	24 SAE 1 1/2 NPT	1	42 9/32	6 1/4	300	150	QSI 750

Stainless Steel Fluid Coolers for QSI and QST - Rotary Compressors

Part Number	Pipe Size NPT (Inches)		Dimensions (Inches)		Maximum Pressure (psig)		Used On Models
	Oil	Water	Overall Length	Shell Diameter	Shell	Tube	
127266-1	1 1/2	1 1/2	39 7/8	4 1/4	300	150	QST 40
127266-2	1 1/2	1 1/2	40 13/16	5 1/4	300	150	QSI 235
127266-7	3	2	77 5/8	8 5/8	300	150	QSI 1500
127266-15	16 SAE 1 1/4 NPT	1	29 29/32	5 1/4	300	150	QSI 370
127266-8	20 SAE 1 1/4 NPT	1	41 29/32	5 1/4	300	150	QSI 500

Water-Cooled Fluid Coolers for QSI and QST

- Rotary Compressors

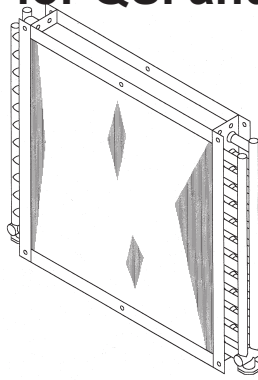


#22708

Part Number	Pipe Size NPT (Inches)		Dimensions (Inches)		Maximum Pressure (psig)		Used on Models
	Oil	Water	Overall Length	Shell diameter	Shell	Tube	
Early Models							
22708-2	1 1/2 "	1"	40 13/16"	5 1/4"	300	150	*QSI 235
22708-3	2"	1 1/2"	41 1/8"	6 1/4"	300	150	*QSI 350
22708-4	2"	1 1/2"	53 1/8"	6 1/4"	300	150	*QSI 490
22708-5	3"	2"	54 7/8"	8 5/8"	300	150	*QSI 740
22708-6	3"	2"	54 7/8"	8 5/8"	300	150	*QSI 1000
22708-7	3"	2"	66 7/8"	8 5/8"	300	150	*QSI 1250
22708-8	3"	2"	78 7/8"	8 5/8"	300	150	*QSI 1500
Later Models							
22708-1	1 1/2 "	3/4"	39 7/8"	4 1/4"	300	150	QST 40
22708-15	16SAE 1 1/4" NPT	1"	29 29/32"	5 1/4"	300	150	QSI 245
22708-23	1/4"NPT	1"	41 29/32"	5 1/4"	300	150	QSI 370
22708-24	20 SAE 1 1/4" NPT	1"	53 29/32"	5 1/4"	300	150	QSI 500
22708-18	24 SAE 1 1/2" NPT	1 1/4"	42 9/32"	6 1/4"	300	150	QSI 750
22708-19	21SAE 2" NPT	1 1/4"	54 9/32"	6 1/4"	300	150	QSI 1000
22708-20	21 SAE NPT	1 1/4"	48 13/32"	8 1/2"	300	150	QSI 1250
22708-21	24 SAE 2"NPT	1 1/4"	56 13/32"	8 1/2"	300	150	QSI 1500

Air Cooled Oil Coolers for QSI and QST

- Rotary Compressors



#125715

Part Number	Pipe Size NPT (inches)		Dimensions (inches)		Maximum Pressure (psig)	Used on Models
	In	Out	Height	Width		
QST Products						
23647	1/2"	1/2"	22 3/4"	21"	500	QST 25-30
121392	1 1/4"	1 1/4"	25"	24 1/2"	N.A.	QST 30-40
121256	3/4"	3/4"	28 1/8"	25 1/2"	N.A.	QST 30
125212	3/4"	3/4"	24 1/2"	22 5/8"	500	QST 15-20
125094	3/4"	3/4"	25"	22 3/4"	200	QST 25-30
125330	3/4"	3/4"	33 1/2"	31"	N.A.	QST 40
125752	1 1/2"	1 1/2"	23"	28 1/4"	N.A.	QST15-20
125715	3/4"	3/4"	27"	31"	N.A.	QST 25-30
125721	3/4"	3/4"	33"	37"	N.A.	QST 40
127536	3/4"	3/4"	24"	31 3/8"	270	QST 40
127534	3/4"	3/4"	18"	27 3/8"	270	QST 30
127532	3/4"	3/4"	18"	23 3/8"	270	QST 15-20-25
QSI Products						
22009	1"	1"	31 1/2"	30 1/8"	175	QSI 235
123031	1/2"	1/2"	31 7/8"	32"	350	QSI 235
125721	3/4"	3/4"	33"	37"	N.A.	QSI 235
23603	1 1/2"	1 1/2"	38"	36 3/8"	150	QSI 350
126501	1 1/4"	1 1/4"	43 3/4"	39"	275	QSI 350
120031	2"	2"	43 7/8"	42 3/4"	150	QSI 490
120033	2"	2"	50 3/4"	53 1/2"	150	QSI 740
127320	2"	2"	45"	54 1/4"	275	QSI 740
121400	2"	2"	61"	61 3/8"	150	QSI 1000-1250-1500
126735	2"	2"	52 3/4"	31 3/4"	200	QSI 1000
126561	2 1/2"	2 1/2"	63"	63"	275	QSI 1250-1500

Belt Guard Aftercoolers for QR & QT

- Reciprocating Compressors

Materials of Construction Steel Headers
 Copper Tubes
 Aluminum Fins

Part Number	Connection Size	Weight (lbs.)	Used on Models
11579-001	1"	8	Models up to 20 SCFM
11579-002	1"	11	Models up to 35 SCFM
11579-003	1"	19	Models up to 75 SCFM
11579-004	1.25"	25	Models up to 100 SCFM



#11579-001

-Maximum relief valve setting is 350 psig.

-Maximum Inlet Temperature 500°F

Consult Quincy Parts and Accessories for mounting and bracket requirements

Belt Guard Aftercoolers for QRD

- Reciprocating Compressors

Materials of Construction Copper Headers
 Copper Tubes
 Aluminum Fins

Part Number	Connection Size	Weight (lbs.)	Used on Models
114868-001	1"	8	Models up to 20 SCFM
114868-002	1"	11	Models up to 34 SCFM
114868-003	1"	19	Models up to 69 SCFM
114868-004	1.25"	25	Models up to 109 SCFM



114868-001

-Maximum relief valve setting is 350 psig.

-Maximum Inlet Temperature 500°F

Consult Quincy Parts and Accessories for mounting and bracket requirements

Speciality Tools

- Reciprocating Compressors

QR-25® Service Tools

- High-quality tools make servicing QR-25 Air Compressors and Vacuum Pumps easier.
- The Valve Removal and the Hold down Screw Removal tools are designed for use with any standard 1/2" drive flex handle, "T" bar, or ratchet wrench (not included in the set.)

Description	Part Number	Tool Removes Part Number	Used on Models
Diaphragm Body Removal Tool is rugged and will withstand the most severe usage.			
Diaphragm Body Removal Tool	4-0-11	1559B 1559C	106, 108, 212, 216, 308, 310
Diaphragm Body Removal Tool	4-0-12	1823A 7483	106, 108, 212, 216, 308, 310, 325, 330, 340, 350, 370, 390, 5080, 5105, 5120, 230, 240, 244, 255, 4088, 4110, 4125, W-264, W-280, W-340, W350, W5080, W-5105, W-5120
Striking Wrench is designed to remove stubborn hold down screws and to remove valve cover caps.			
Striking Wrench (Used with 6843N)	420HX	6548	206, 208, 210, 214, 306
Striking Wrench (Used with 6662N)	440HX	1878, 1879, 1827	320, 325, 330, 340, 390
Holddown Screw Removal Tool will withstand heavy hammer blows on the striking wrench to remove the most stubborn screws without injury to slots or threads. The striking wrench portion of the tool can also be used to remove valve cover caps.			
Holddown Screw Removal Tool (Used with 440HX)	6662N	1878, 1879	320, 325, 330, 340, 390
Holddown Screw Removal Tool (Used with 420HX)	6843N	6548	206, 208, 210, 214, 306
Holddown Screw Removal Tool	6664N	3008	106, 108, 212, 216, 230, 240, 244, 255, 4088, 4110, 4125, 308, 310, 325, 340, 350, 370, 390, 5080, 5105, 5120, W-264, W-280, W-340, W-350, W-5080, W-5105, W-5120
Head Bolt Removal Tool is sturdy and designed to install and remove Allen head bolts.			
Head Bolt Removal Tool	6665N	Allen Type Head Bolts	Older Models 325 and 390
Valve Removal Tool is extra deep to accomodate suction and discharge valves.			
Valve Removal Tool	6663N	2133, 2129 5314, 5909	X-2, X-3, X-8, 350 (Holddown screw - older models)



#6662N



#6664N



#6663N



#6665N



#4-0-11



#440HX

Tool Kits - Bearing and Seal Installation Kit

- Reciprocating Compressors

QRD Service Tools

- For use with all QRD compressors, regardless of record of change.
- Use to replace worn or damaged connecting rod needle bearing and seals.

Kit #112029-104

Part Number	Description
112029-008	Mandrel Bearing/Seal Installation
112029-002	Pilot Bearing/Seal Installation
112029-007	Sleeve Bearing Installation
112029-009	Washer
110428N112	Washer
113783-R02	Nut
126490-R29	Bolt
112029-011	Latex Glove
114835	Sleeve, Pin Installation



*Kit #112029-104

* Replaces #112029 which was used on QRD 100-103

Tool Kits - Sheave/Crank Shaft Removal Kit #112692

- Reciprocating Compressors

- For use with all QRD products

Part Number	Description
112682	Push Pull Block
112683	Pressure Screw
112684	Flat Plug
123478-N17	Cap, CS Hex, PL.50NCX2.00



Kit # 112692

Tool Kits - Piston Pin Removal Tool

- Reciprocating Compressors

- For use with all QRD products

Part Number	Description
112688	Push Pin



Shaft Seal Installation Tool Kits for Lip Type Seals

- Rotary Compressors

- High-quality tools make servicing Quincy Air Compressors and Vacuum Pumps easier.

Tool Kit Number 140284		Model Used On: QSI-245-370 and all QST/QSB with lip type seal
List of Tools in the Kit		
Qty	Part Number	Description
1	140150-1	For Sleeve Installation
1	129648	Wear Ring Driver
1	129647	Shaft Seal Driver
1	142062	Wear Ring Puller Assembly

Tool Kit Number 140454		Model Used On: QSI-1000-1250-1500 with lip type seal
List of Tools in the Kit		
Qty	Part Number	Description
1	140150-3	For Sleeve Installation
1	140455	Wear Ring Driver
1	140456	Shaft Seal Driver
1	142064	Wear Ring Puller Assembly



Kit #140454

Tool Kit Number 140414		Model Used On: QSI-500-700 with lip type seal
List of Tools in the Kit		
Qty	Part Number	Description
1	140150-2	For Sleeve Installation
1	140452	Wear Ring Driver
1	140453	Shaft Seal Driver
1	142063	Wear Ring Puller Assembly

Tool Kit Number 129414		Model Used On: QMB and QMT-all models
List of Tools in the Kit		
Qty	Part Number	Description
1	142647	For Sleeve Installation
1	142654	Wear Ring Driver
1	142646	Shaft Seal Driver
1	142073	Wear Ring Puller Assembly

Index

A Aftercoolers

Air/Fluid Combination: QSI, QST	98
Air-Cooled: QSI, QST	97
Belt Guard: Recip. QR, QT	102
Saltwater: QSI, QST	95
Stainless Steel: QSI, QST	96
Water-Cooled: QSI, QST	96

B Belts

Belt Guard Dimensional Info.	47-48
"V" Belts-Recip. Compressors.....	90-91
"V" Belts-Rotary Compressors	89
Bushings	
Electric Motor Bushings	92-94

C Coolers

Fluid, Air-Cooled: QSI, QST	101
Fluid, Saltwater: QSI, QST	99
Fluid, Stainless Steel: QSI, QST	99
Fluid, Water-Cooled: QSI, QST	100
Crankcase Heater	
Crankcase Heater	55

D Demisters

Exhaust Demisters	2
Drains	
Electronic Drains	16
Manual Drains	15
Repair Kits.....	15-16

F Filters

Air Pressure Regulators	3
Automatic Control Line Filters	3
Control Line Strainers	3
Elements for Filters	5
Exhaust Demisters	2
Exhaust Filter Element Kits	2
Hooded Filter/Silencers	4
Inlet Filter Elements: Recip, Vac.	9
Inlet Filters, Vacuum: Paper	8
Inlet Filters, Vacuum: Polyester.....	9
Inlet Liquid Separators	11
Intake Filters.....	6
Intake Silencer	6
Manual Drain Line Filters	3
Prefilter Foam Options	5
Oil Filter: QR-25	7
Oil Filter: QR-100	7
QTS Filters	6
Standard Filters: Recip.....	4

G Gauges

Air Pressure Gauges	13
Oil Pressure Gauges	12
Percent Capacity Gauges	12
Sight Glass	12
Temperature Gauges	12
Vacuum Delta P Switch/Gauge	85
Vacuum Gauges	13

H Heaters

Crankcase Heater	55
Hydraulic Unloader	
Repair Kit.	38
Unloader Assembly	38

I Indicators

Maintenance Indicators	14
Pressure Differential Indicators	14

Isolators

Pad Isolators	49
Spring Isolators	49

K Kits

Drain Valve Repair Kits	15-16
Engine Throttle Control Kits	46
Exhaust Filter Element Kits	2
High Air/Temperature Kits	60
Hydraulic Unloader Repair Kit.....	38
Inlet Valve Repair Kits	38
Lubricant Analysis Kit	54
Maintenance Kits: QR-25	41-44
Maintenance Kits: QT and QTS	45
Min. Pressure Check Valves	19
Moisture Trap Repair Kits.....	39
Pressure Regulator Repair Kit	3
Pilot Valve Repair Kit.....	25
Piston Pin Removal Kit.....	104
Shaft Seal Installation Kit	105
Sheave/Crank Shaft Removal Kit.....	104
Thermostat Valve Repair Kits.....	40

L Lamps, Lenses, Bulbs

Bulb Replacements: Rotary	69
Lamp Replacements: Rotary.....	69
Lens Replacements: Rotary.....	69

Lubricants

Lubricant Analysis Kit	54
Lubricants/Fluids: Reciprocating	55
Lubricants/Fluids: Rotary.....	54
Recip. Lubrication/Capacities	56
Rotary Lubrication/Capacities	56

Index

- M** Meters
Hour Meters..... 12
- Motors
Electric Motors: Recip. Products 63-64
Electric Motors: Rotary Products..... 61-62
Motor Pulleys and Bushings..... 92-94
- P** Panels
Automatic Alternating Panel, Single Point ... 65-66
Automatic Alternating Panel, Dual Point..... 67-68
Demand-A-Matic Panels: Rotary..... 57
Demand-A-Matic Panels: Rotary, Vacuum 58
Demand-A-Matic Panels: QR-100, QDD..... 59
Duplex Panel Optional Features 69
Lamp Assemblies Replacements: Rotary 69
Lens Replacements: Rotary 69
Light Replacements: Rotary 69
- Prefilters
Foam Prefilters 5
- Pulleys
Pulleys for Electric Motors..... 92-94
- R** Rails
Slide Rails for Electric Motors 64
- Receivers
Receivers for QR, QT, and QTS..... 50-51
Vacuum Receivers-Horizontal..... 53
Vacuum Receivers-Vertical 52
- Regulators
Air Pressure 3
- S** Separators
Inlet Liquid Separators 11
- Service Tools
See Tools
- Shims
Coupling Alignment Shims 37
- Silencers
Intake Silencer: Recip. 6
- Slide Rails
Electric Motors Slide Rails 64
- Starters
Adjustable IEC Overload Relays 78
Enclosed Starters 70-72
Open Starters 73-77
Contactors, Open 79-81
Contactors, Replacement: Newer Rotary..... 82
- Strainers
Control Line Strainers: Recip. 3
- S** Switches
Differential Pressure, Delta P: Vacuum 85
High Air Temp. Shut Down 60
High Air Temp. Shut Down Replacement 60
High Air Temp. Kits 60
High Pressure: Adjust. Differential..... 87-88
High Pressure: Non-Adjust. Differential..... 86
High Pressure: Special..... 85
- T** Temperature
High Air/Water Temperature Kit..... 60
- Throttle
Engine Control Throttle Kit 46
- Tools
Piston Pin Removal Tool 104
QR-25 Service Tools 103
QRD Service Tools 104
Shaft Seal Installation Tool 105
Sheave/Crank Shaft Removal Kit..... 104
- V** Valves
Check Valve Bushings: Vacuum..... 21
Check Valve Inserts: Vacuum..... 22
Check Valves: Recip. 20
Check Valves: Rotary 18
Check Valve Assemblies: Dual Control 19
Drain Valves: Electronic 16
Drain Valves: Manual 15
Drain Valves: Repair Kits..... 15-16
Minimum Pressure Check Valves..... 18
Pilot Valves: Differential Ranges 25
Pilot Valves: Recip..... 23
Pilot Valves: Repair Kit..... 25
Pilot Valves: Replacement Springs 25
Pilot Valves: QR Models..... 23
Pilot Valves: QT, QTS, QR, QRD 26
Pressure Relief Valves 27-31
Vacuum Ball Valves: Quarter Turn 32
Vacuum Ball Valves: Flanged..... 33
Vacuum Ball Valves: NPT..... 34
Vacuum Butterfly Valves: Lug Body 35
Vacuum Butterfly Valves: Wafer Body 36
Water Temperature Regulating Valves..... 37